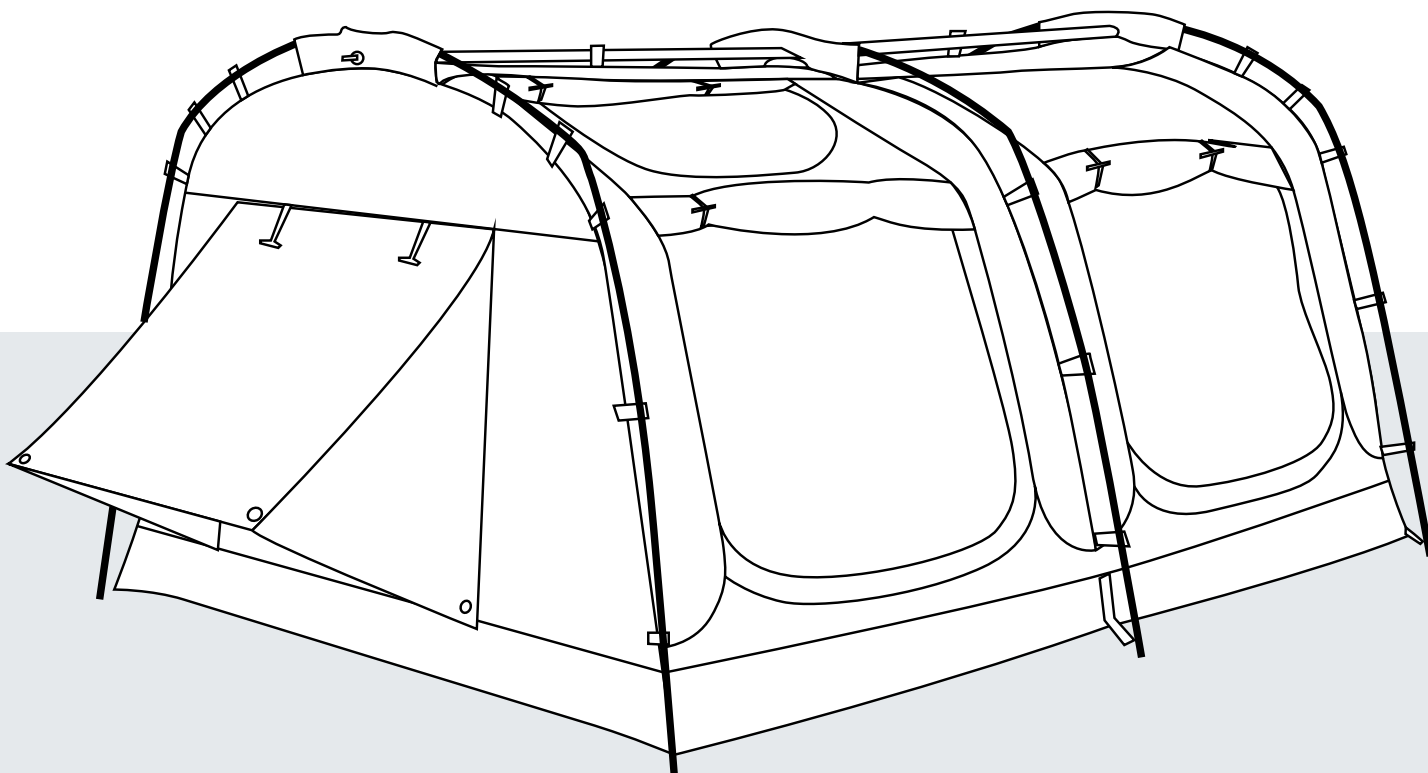




XD Khumbu Swag Ground Tent Instructions



**CAREFULLY READ INSTRUCTIONS
PRIOR TO THE FIRST USE OF THE
XD KHUMBU**

Parts List:

3x Tent Rods

2x Medium Poles

1x Long Pole

1x Awning Panel

CLEANING

Clean with cold water and a cloth. Do not use soaps and detergents.
Do not expose to petrol, diesel, oils or chemicals of any nature

STORING

Store in a cool and dry area, when not in use.



DO YOU NEED OUR HELP?



CUSTOMER SUPPORT 833-226-4863



SALES@OVERLANDVEHICLESYSTEMS.COM

**WANT TO SHOW US YOUR RIG?
CHECK OUT OUR SOCIAL!**

@overlandvehiclesystems



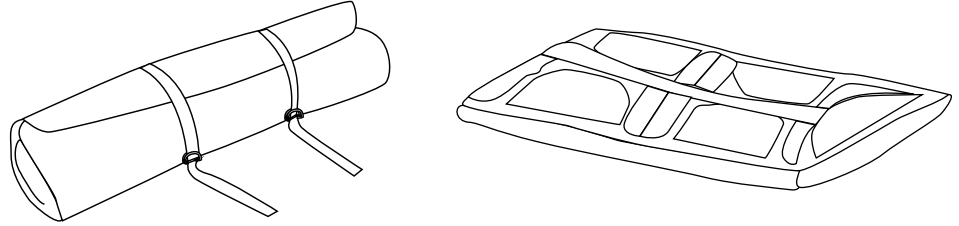
XD Khumbu Swag Ground Tent

JANUARY 2025

SET-UP & CARE INSTRUCTIONS

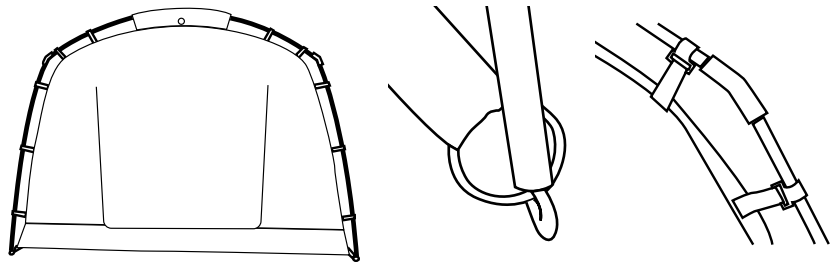
1

Unstrap and roll out the tent.



2

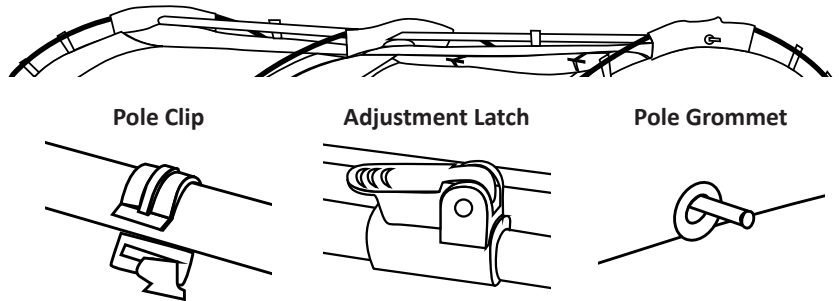
Insert the 3 tent rods through the 3 entry points from the right side to the other side.



3

Insert the Long Pole through the holes in the center portion from the front to the rear of the tent.

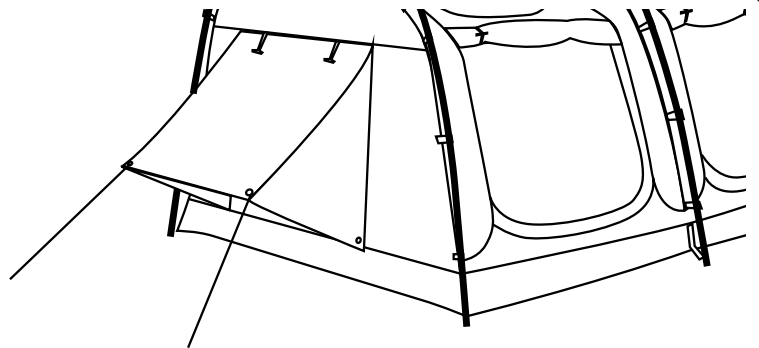
Use the adjustment latch to extend the pole to create enough tension to expand the tent.



4

Unzip the gusseted end windows.

Use Stakes and Guy Lines to expand this window outward.

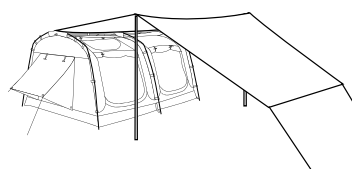
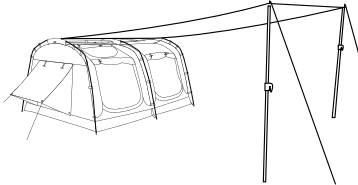
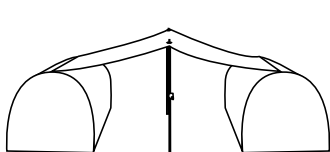


OPTIONAL AWNING PANEL

5

There are different orientations for the awning panel. Here are some to follow, depending on your camp set up.

Two Khumbus



Attach to Awning Channel

