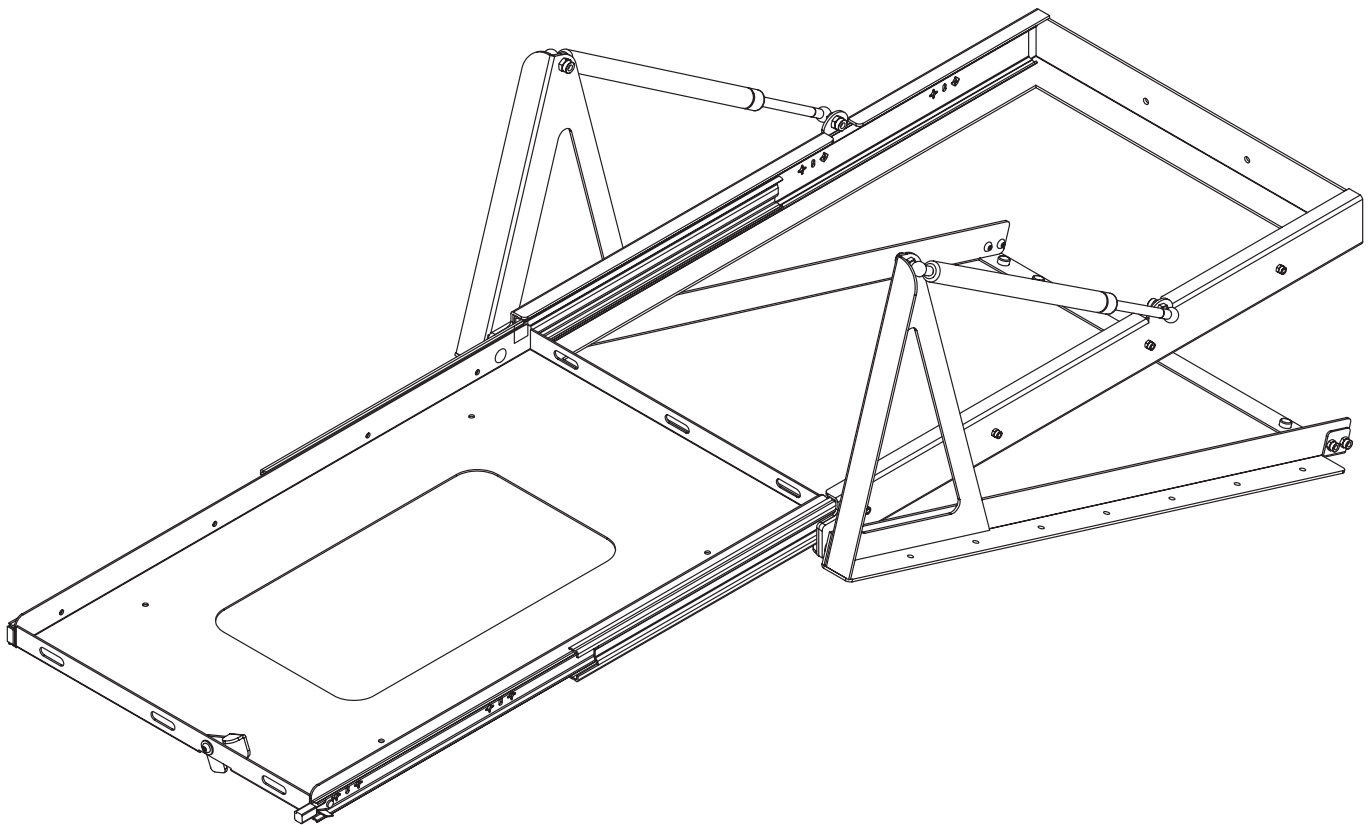




OVS

OVERLAND VEHICLE SYSTEMS

Small Fridge Slide and Tilting Tray Instructions



**CAREFULLY READ INSTRUCTIONS PRIOR
TO THE FIRST USE OF THE SMALL FRIDGE
SLIDE AND TILTING TRAY INSTRUCTIONS**

Small Fridge Slide with Tilting Tray

SET-UP & CARE INSTRUCTIONS

GET TO KNOW YOUR SMALL FRIDGE SLIDE

We recommend you check all parts are included prior to first use.

QTY	Part
6	M6x20mm Bolt
6	T-Nut

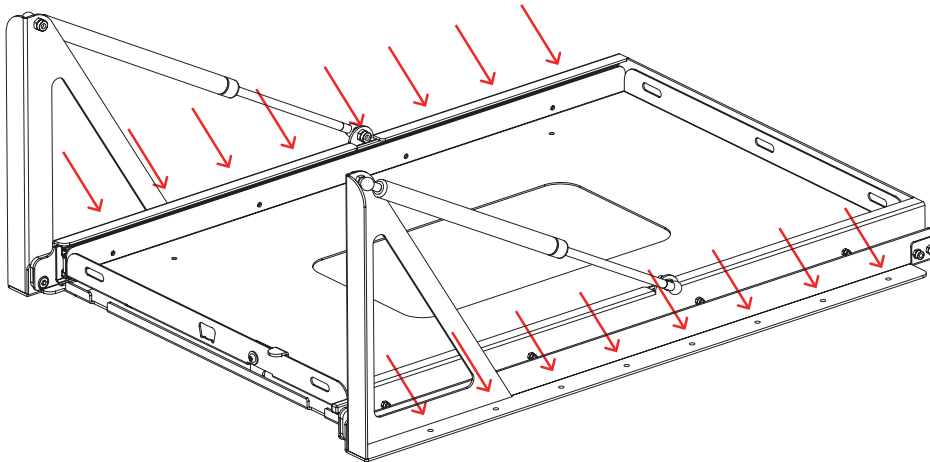
QTY	Part
6	M6 Washer
6	M6 Nyloc Nut

QTY	Part
4	Nylon Strap

INSTALLATION

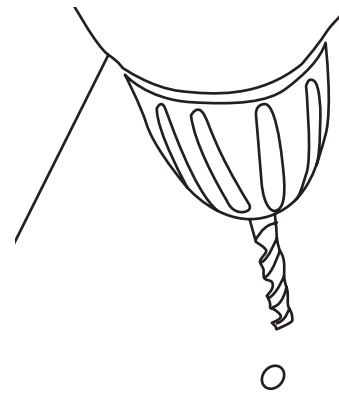
1

Mark six drilling points through any of the 14 holes with a marker



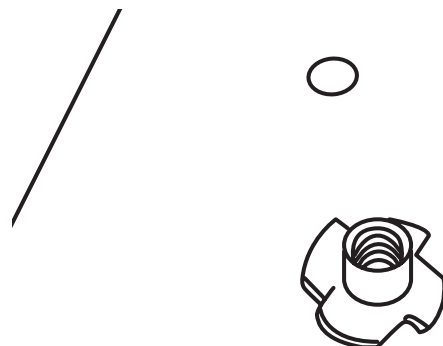
2

Drill six 7mm holes for the T-Nuts



3

Insert T-Nuts into the holes ensuring the nuts are upright and square to the hole

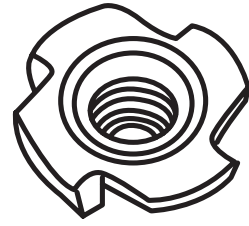


Small Fridge Slide with Tilting Tray

SET-UP & CARE INSTRUCTIONS

4

Flatten the T-Nuts with a mallet or hammer



5

Position the fridge slide on the flat surface aligned with the T-Nuts that you have installed.

Use the 6 pc M6x20mm Bolts and M6 Washers to fix to the surface



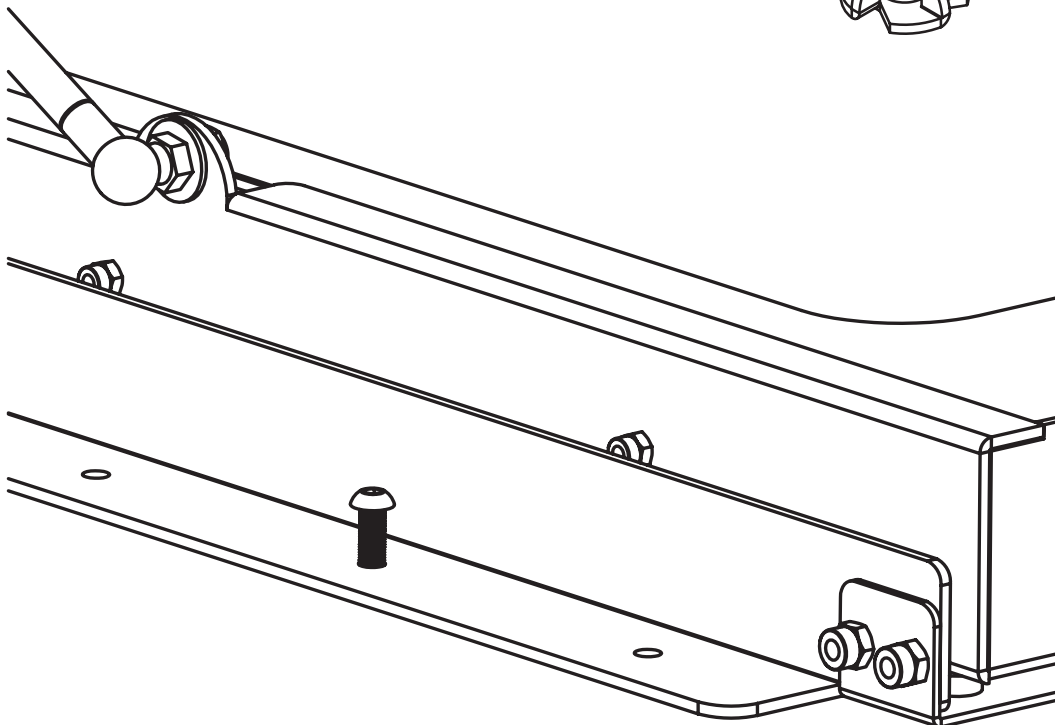
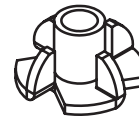
M6x20mm Bolts



Washer



Fridge

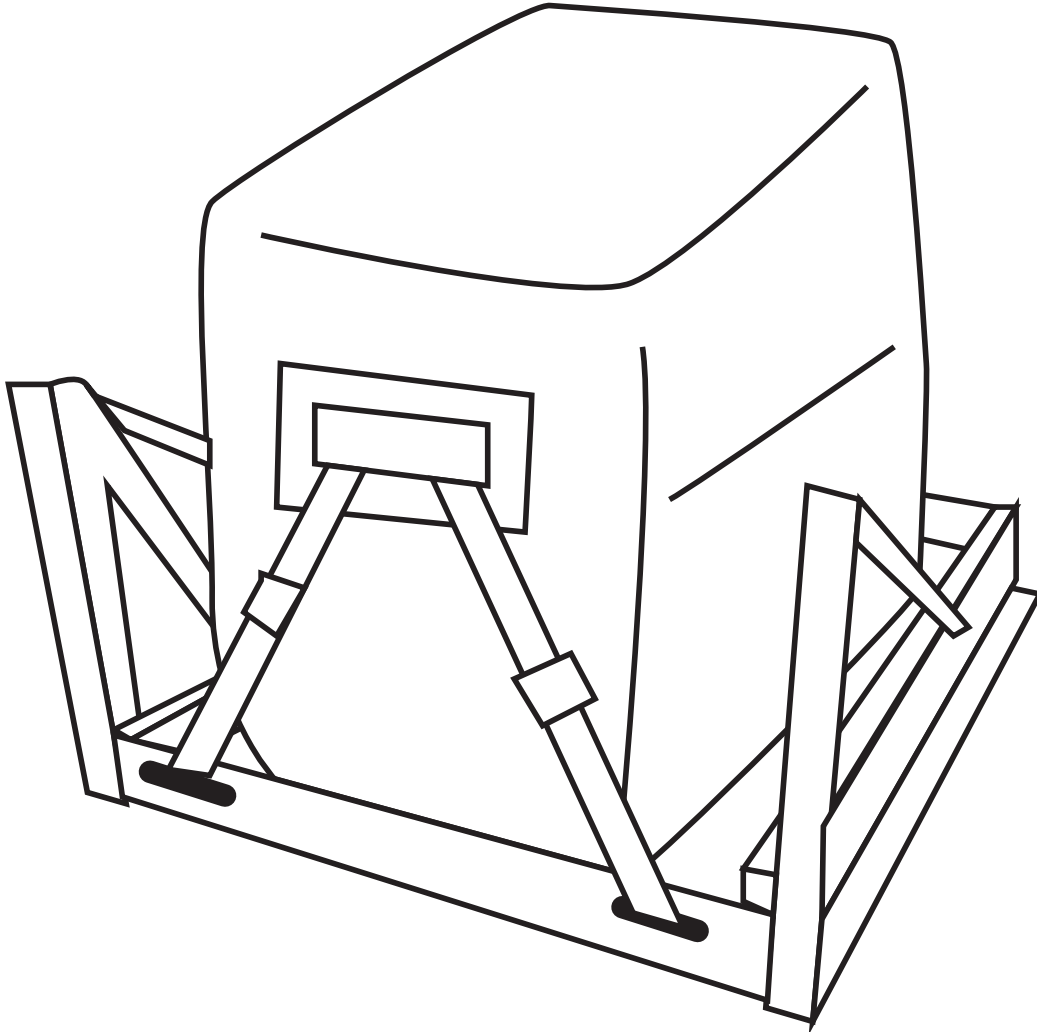
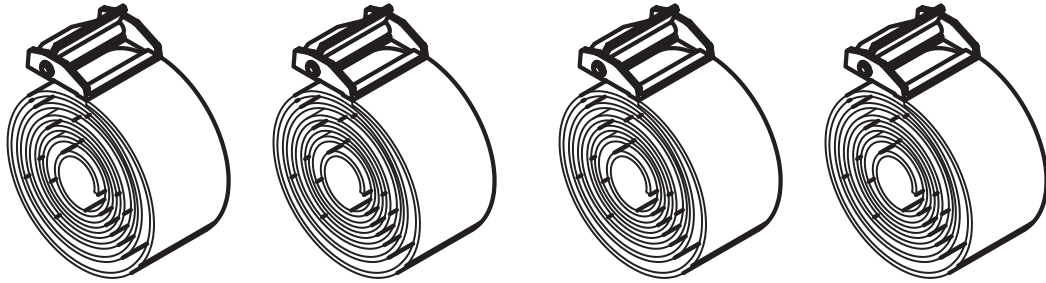


Small Fridge Slide with Tilting Tray

SET-UP & CARE INSTRUCTIONS

4

Secure your fridge or the sliding tray by using the 4 Nylon Straps. Make sure the straps are tight and secure.



Small Fridge Slide with Tilting Tray

SET-UP & CARE INSTRUCTIONS

CLEANING

Materials Needed:

- Mild dish soap or automotive soap
- Warm water
- Soft cloth or sponge
- Soft-bristle brush (if needed)
- Hose or bucket
- Microfiber cloth
- Optional: Car wax or polish for powder-coated surfaces

Steps:

- Rinse: Use clean water to remove loose dirt.
- Wash: Mix soap with warm water. Gently scrub with a soft cloth or sponge.
- Rinse: Thoroughly rinse off all soap.
- Dry: Use a microfiber cloth to dry.
- Optional: Apply wax or polish for extra shine and protection.

Tips:

- Avoid abrasive cleaners and harsh chemicals.
- Clean regularly to maintain appearance.

WARRANTY

Overland Vehicle Systems Cargo Shelves are produced to the highest manufacturing standards and are covered by a 5 Year limited warranty that protects the original purchaser against any defects in materials and workmanship under normal use. If upon determination by Overland Vehicle Systems that the shackle is defective, Overland Vehicle Systems will replace without charge, with an equivalent Cargo Shelf to the original purchaser according to the instructions supplied with the Cargo Shelf, and not damaged due to abuse, misuse or negligence. This warranty will not cover any labor charges incurred in installation, removal, replacement or repair, transportation cost or any consequential damages, which might be caused by the product. Overland Vehicle Systems shall not be liable in case of;

- Improper installation or modification of original product.
- Damages resulting from abuse
- Improper installation
- Any commercial application If the original purchaser finds a defect in material or workmanship, please contact Overland Vehicle Systems Warranty Service, 9830 Norwalk Blvd Suite 130, Santa Fe Springs, CA 90670.

The law in some states may expand or modify this warranty. This warranty supersedes all other warranties, expressed or implied.



WARNINGS

- The fridge slide must be securely and evenly bolted down to the floor of the vehicle or to wherever the slide is to be used.
- Under no circumstances can the slide be used other than when it is fixed down correctly on a smooth even surface with no contortion of the frame.
- The sliding tray is activated by depressing the right side lever on the front to pull forward and lock in.
- Heavy pushing without depressing the lever will result in damage to the lever.
- Ensure that the tray is firmly locked into place when returning the tray to its inward position.
- This fridge slide is designed to carry fridges up to 175 lbs. It is not recommended for commercial use and no warranty applies if so.



DO YOU NEED OUR HELP?



CUSTOMER SUPPORT 833-226-4863



SALES@OVERLANDVEHICLESYSTEMS.COM

WANT TO SHOW US YOUR RIG?
CHECK OUT OUR SOCIAL!

@overlandvehiclesystems



APRIL 2026