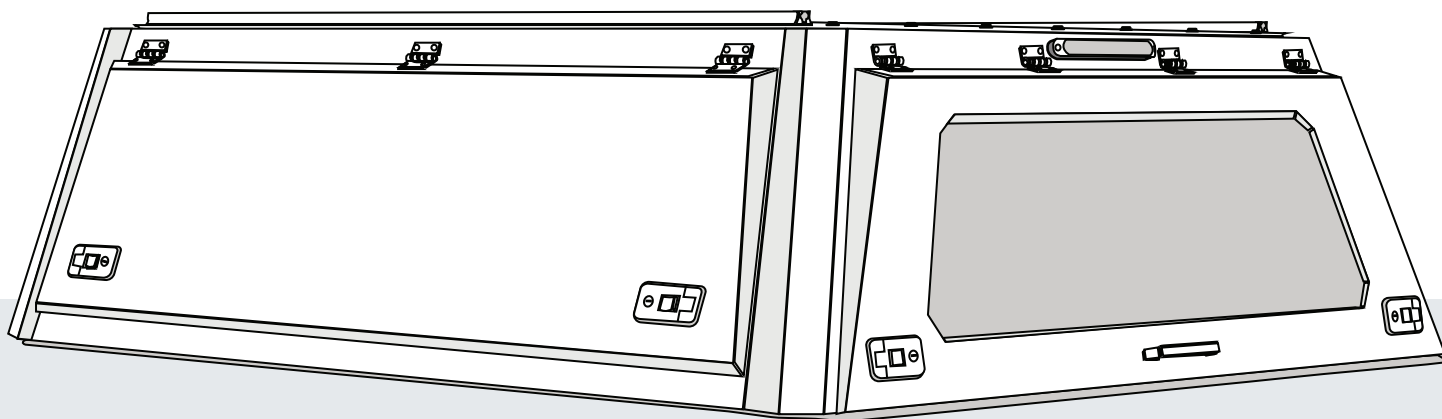




Expedition - Truck Cap w/ Full Wing Doors, Front and Rear Windows & 3rd Brake Light



**CAREFULLY READ INSTRUCTIONS
PRIOR TO THE FIRST USE OF THE
EXPEDITION TRUCK CAP**



Expedition Truck Cap

SET-UP & CARE INSTRUCTIONS

GET TO KNOW YOUR EXPEDITION TRUCK CAP

We recommend you check all parts are included prior to first use. Any Truck Cap manufactured from April 2024 to present, will not have a key-code outside the box and will need to follow these steps to install the rear latch mechanisms.

Notice for all customers, ANTI-SEIZE LUBRICANT MUST BE USED ON ALL STAINLESS STEEL FASTENERS TO PREVENT THREAD DAMAGE AND GALLING.

Recommended Tools:

1x 10mm Socket/Wrench	1x Drill W/ 3/8 Bit
1x 13mm Socket/Wrench	1x Wire Strippers/Crempers
1x 4mm Allen Key	1x Heat Gun
1x Microfiber Towel	1x Electrical Tape
1x Glass Cleaner	

Bill of Material

2x Roof Rails	2x 3M Bulb Seal
2x Side Panels	2x Butyl Tape
1x Front Panel	6x Brackets
1x Rear Panel	1x Rear Lift Gate Handle

CNP02 Panel Hardware

20x Hex Bolts
20x Hex Nuts
40x Flat Washers

CNP03 Roof Rail Hardware

14x Hex Bolts
14x Hex Nuts
14x Flat Washers
14x Black O-Rings

CNP04 Front/Rear Lid Hardware

14x Allen Bolt
14x Stainless Flat Washers
14x Black Flat Washers
14x Rubber Flat Washers
14x Hex Nuts

CNP05 3rd Brake Light Hardware

3x Quick Splice
3x Heat Shrink Butt Connectors
1x Rubber Grommet

Brake Light Hardware

1x 1.5m Wiring
10x Zip Ties
8x Wire Guides

Latch Hardware

2x Latches
2x M8 Bolts

1

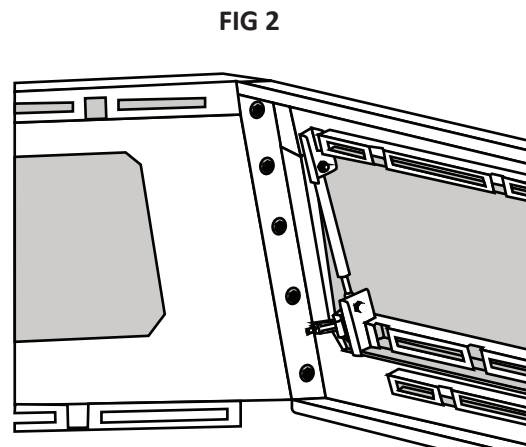
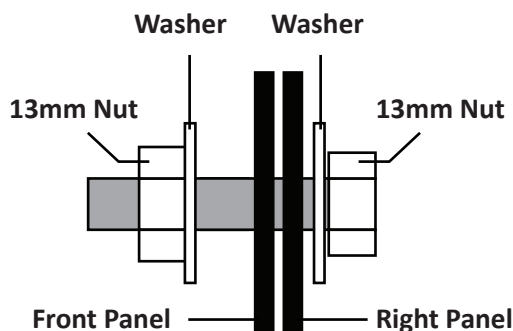
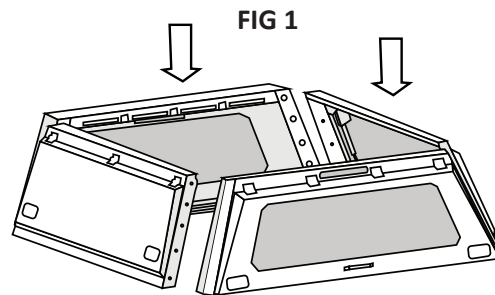
Open Box 1 & 2, unpack all panels and open all hardware packs.

Recommended Assembly on floor.

Place Panels on a padded surface or shipping blanket to prevent damage (FIG 1).

Using Hardware CNP02, Begin assembly of forward most and right sided panel.

Align assembly holes and insert hardware loosely into each of the 5 holes connecting both panels (FIG 2).



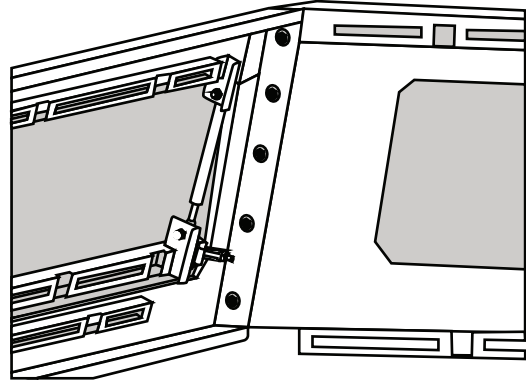
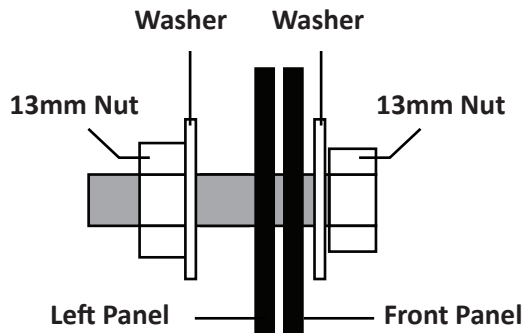
Expedition Truck Cap

SET-UP & CARE INSTRUCTIONS

Notice for all customers, ANTI-SEIZE LUBRICANT MUST BE USED ON ALL STAINLESS STEEL FASTENERS TO PREVENT THREAD DAMAGE AND GALLING.

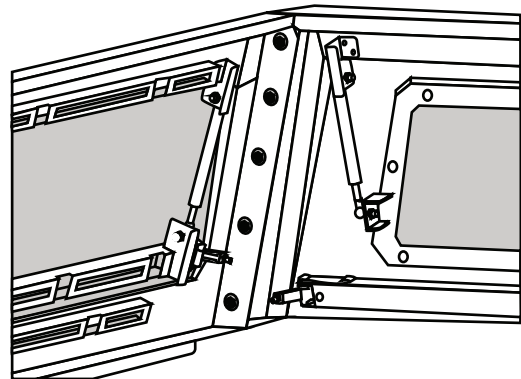
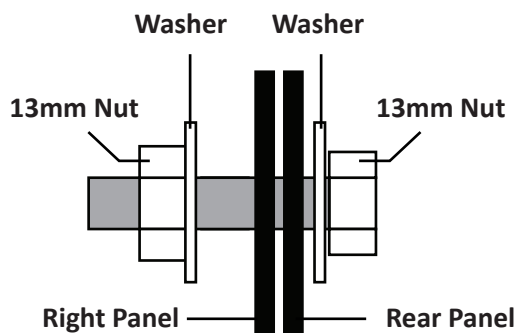
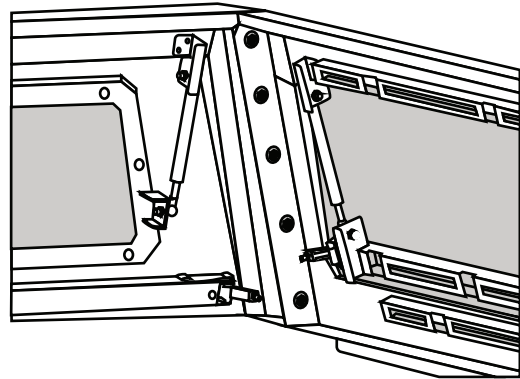
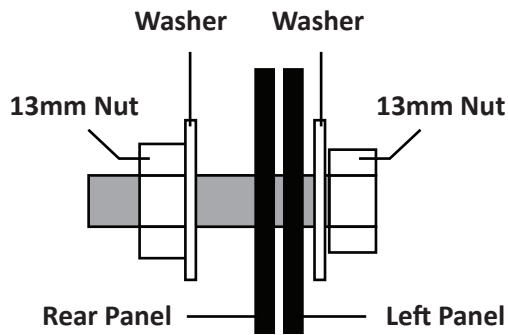
2

Repeat step 1 with left side panel



3

Align the rear panel and loosely assemble with supplied hardware



Once all panels are assembled, tighten all 20 bolts so the thread is flush with the end of the nut to help with the lid alignment.

Expedition Truck Cap

SET-UP & CARE INSTRUCTIONS

Notice for all customers, ANTI-SEIZE LUBRICANT MUST BE USED ON ALL STAINLESS STEEL FASTENERS TO PREVENT THREAD DAMAGE AND GALLING.

4

Take top panel, place on cap.

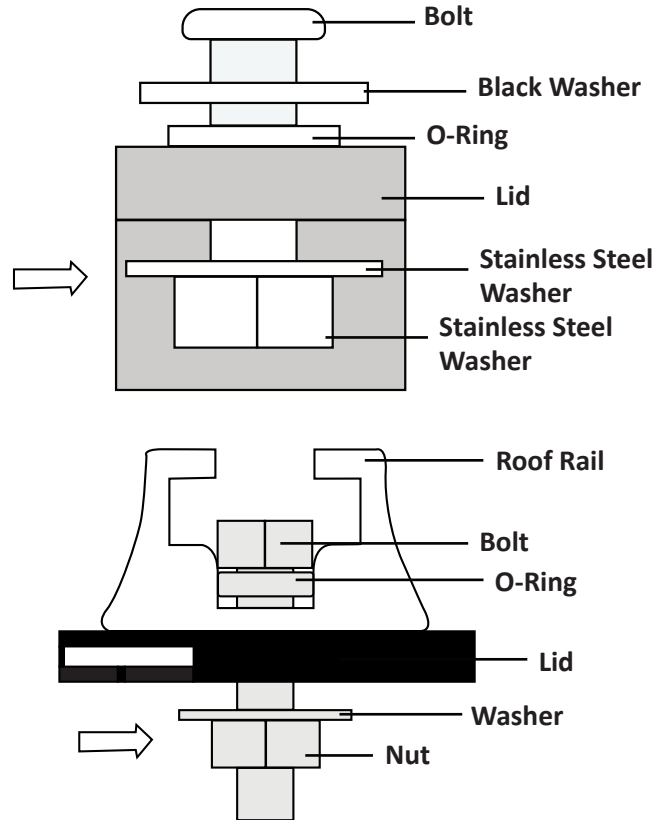
Take the roof rails, place on top of that panel, aligning the holes.

Once roof rails are aligned and the top panel is aligned with all the holes, loosely insert bolts in each assembly hole.

Start with both sides, making sure not to over-tighten and deform lid.

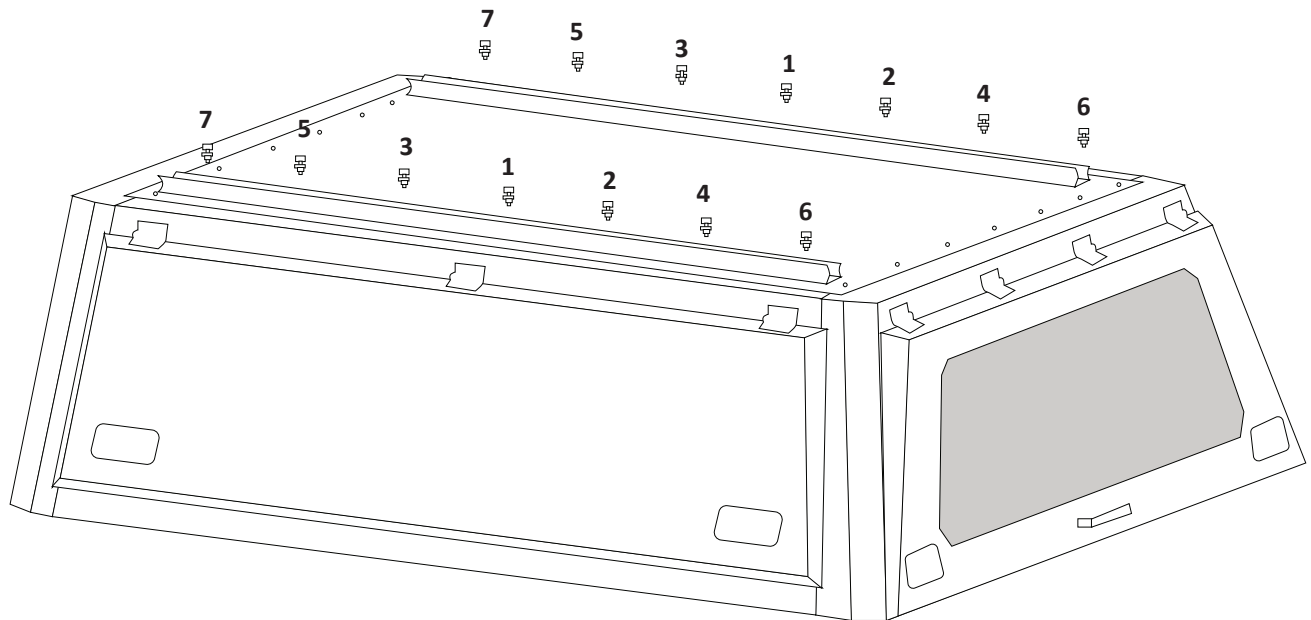
Bolts should be tightened enough to compress the lid gasket and O-Ring Gasket.

Then proceed to the front and back.



Using Supplied hardware in CNP03

Note: We recommend this tightening sequence, making sure not to over-tighten and deform lid.



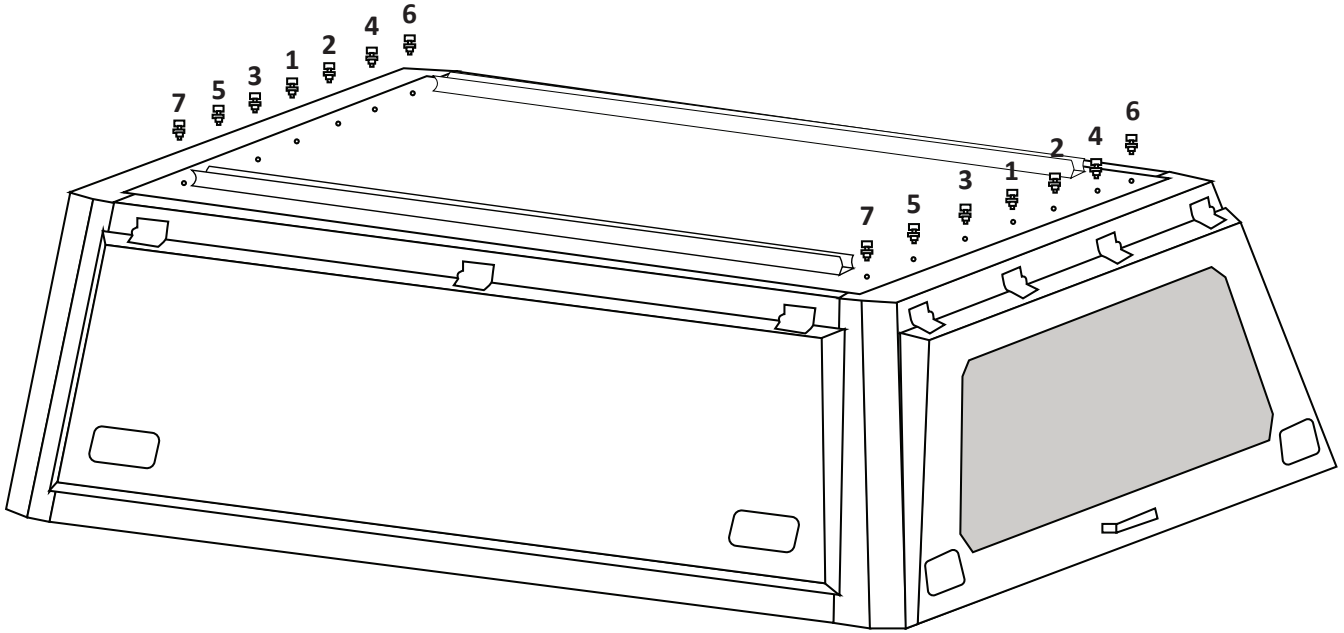
Expedition Truck Cap

SET-UP & CARE INSTRUCTIONS

Using hardware pack 4 (CNP04)

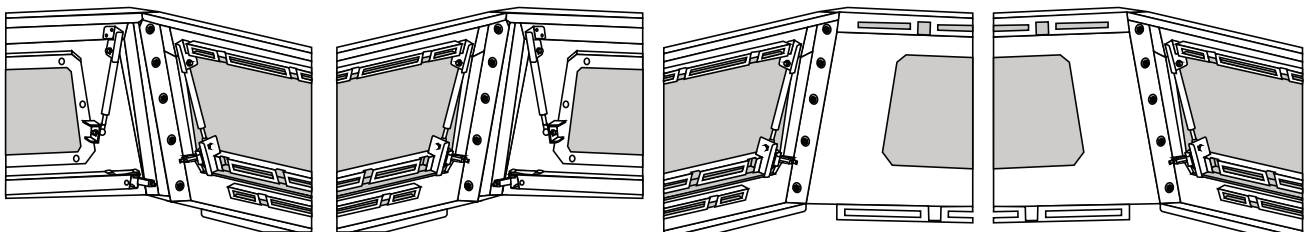
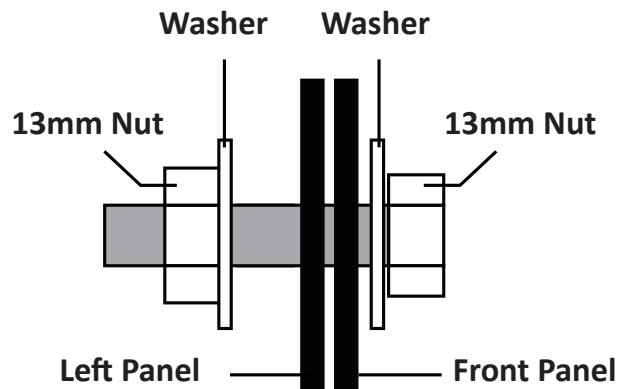
When tightening the lid, complete the front and rear portion.

Note: We recommend this tightening sequence, making sure not to over-tighten and deform lid.



5

Once lid is tightened, tighten all panel assembly bolts.



Expedition Truck Cap

SET-UP & CARE INSTRUCTIONS

HANDLE INSTALLATION

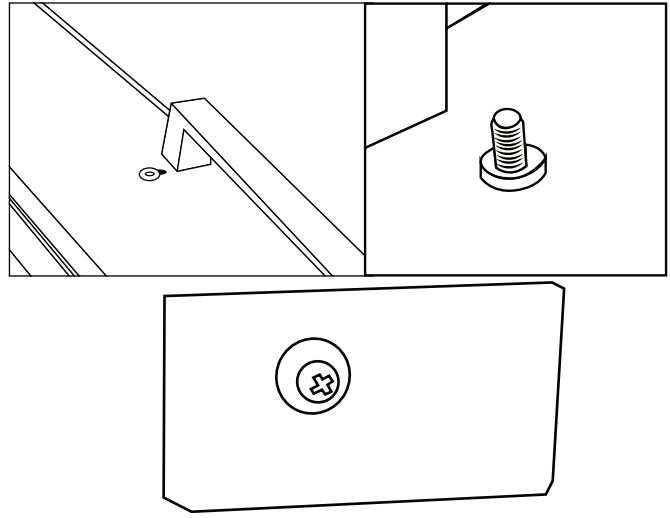
6

Unscrew pre-installed hardware off handle

From the inside, place screw, washer, and lock washer through panel holes.

Clear O-ring goes on outside of panel

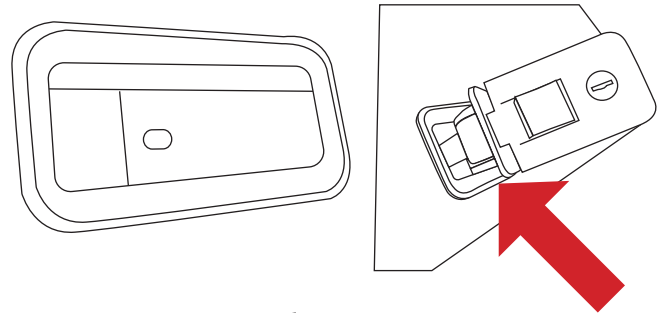
Screw into pre-threaded handle.



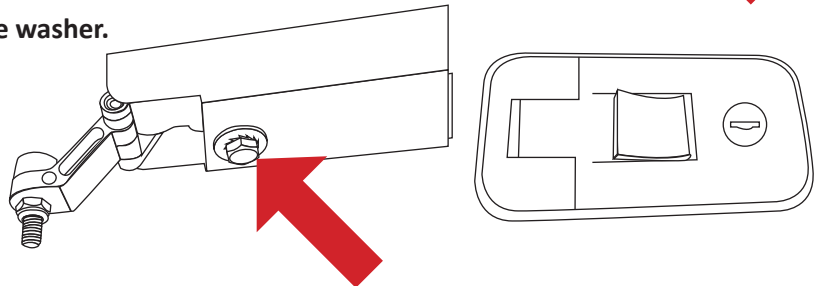
LATCH INSTALLATION

7

Take provided rear latch and place into latch slot



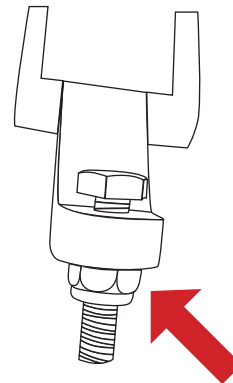
Once seated, screw in M8 Bolt with the washer.
Make sure latch is secure in latch slot.



You may need to adjust tension on the latch arm, if necessary.

To do this, Remove the rubber cap on M8 Long Bolt and tighten the lock nut on the latch arm. Put the rubber cap back on once the lock nut is tightened.

Repeat on opposite side.



Expedition Truck Cap

SET-UP & CARE INSTRUCTIONS

INSTALLATION ON VEHICLE

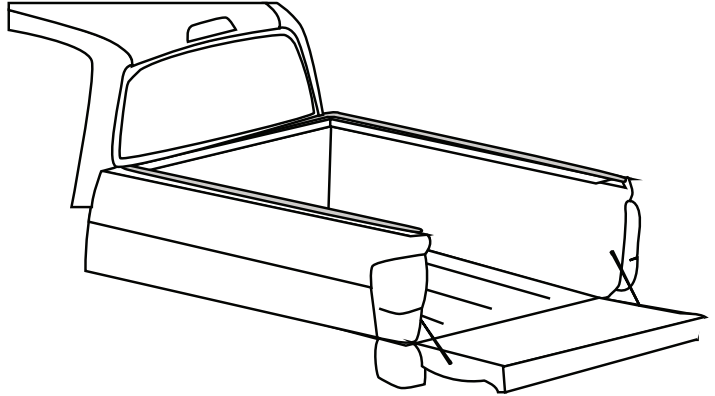
NOTE: Jeep Gladiators, equipped with the optional track system, may need to remove the front track rail in order to properly install and center the cap.

8

With a cloth and warm water, Clean Bed Rails and Bulk head in preparation of 3M bulb seal

Carefully adhere 3M Bulb Seal to the center of the bed rail

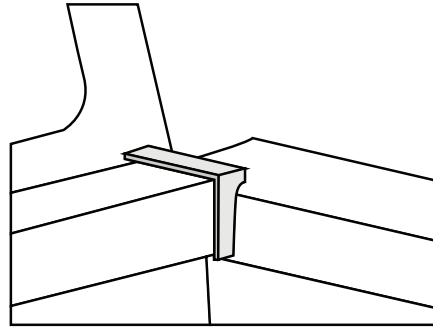
***Note:** If having issue with adhesion, use provided 94 primer



9

It is recommended to use the provided Butyl tape at the bulk head and bed rail seam.

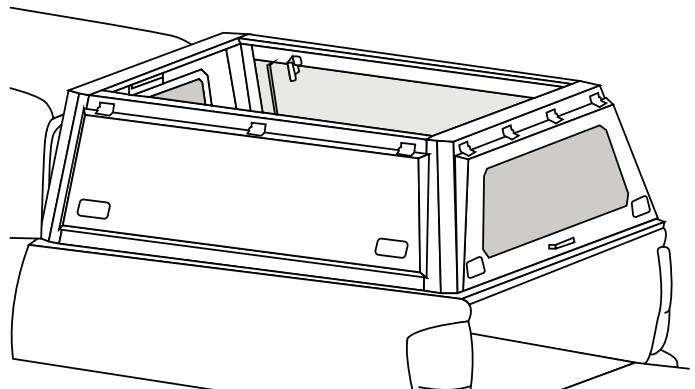
This will aid in reducing potential water into bed.



10

Set the Expedition Truck Cap on top of the vehicle. Take time to set evenly in place to eliminate damaging the 3M gasket.

NOTE: It is recommended that 4 people to place cap on vehicle to avoid damaging the vehicle or the cover.



Expedition Truck Cap

SET-UP & CARE INSTRUCTIONS

11

Before clamping, ensure that rear hatch open and closes properly, if interference with the tailgate, further alignment may be required.

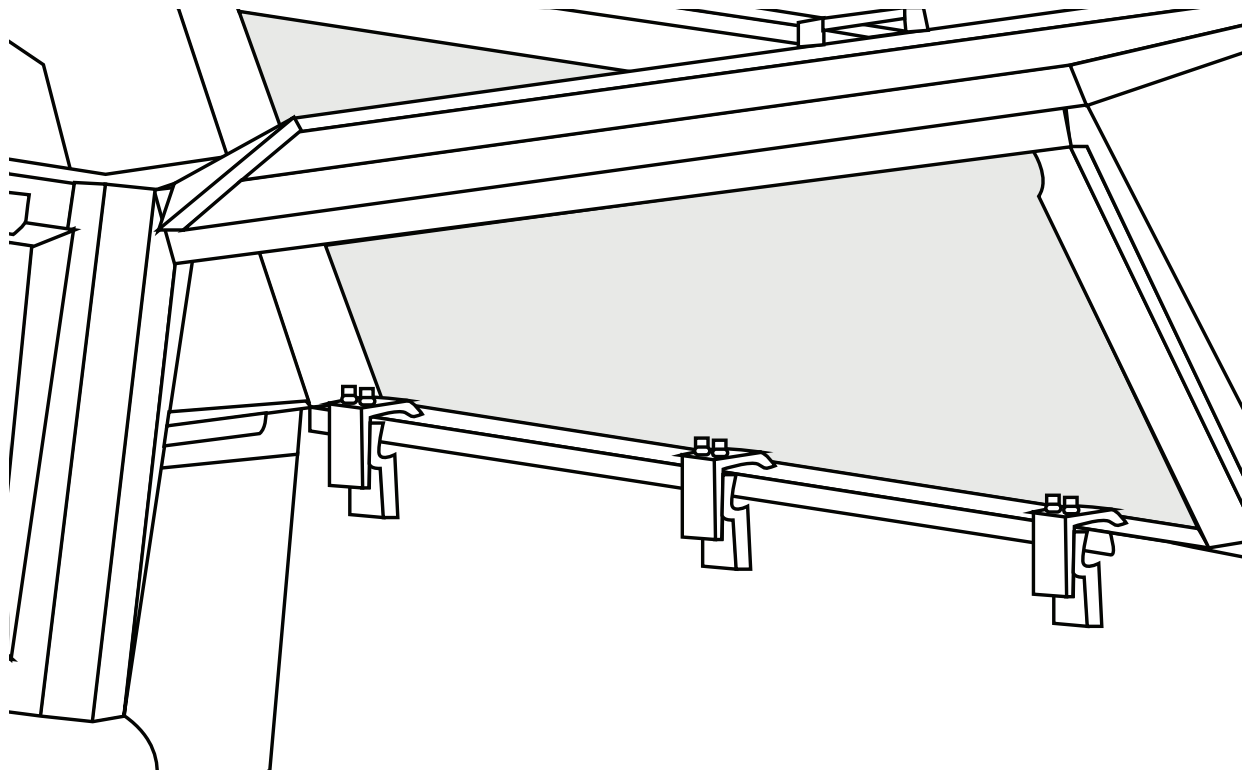
Ensure the cap is centered and not touching the cab

Install 3M Pad on the panel above and under the clamp locations prior to attaching the clamp to prevent scratching on Cap or vehicle.

Once cap is centered, front to back and left to right, secure Expedition Truck Cap on vehicle with provided 6 clamps.

***Note:** We recommend tightening the clamps by hand, once finished, tighten with wrench. Power tool NOT recommended.

***Note:** It is recommended to re-tighten all fasteners after the first 50 miles and every 500 miles thereafter



Expedition Truck Cap

SET-UP & CARE INSTRUCTIONS

GENERAL WIRING INSTRUCTIONS/ WARNINGS

The following vehicle specific instructions are intended as a general guide to help you wire a third brake light to your vehicle. Due to variations in vehicle manufacturers, models, and taillight configurations, the specific steps may vary. Always refer to your vehicle's wiring schematic for precise guidance.

If your factory taillight wiring harness differs than then configuration shown, refer to the basic instructions.

Always heat shrink provided connectors and further insulate using electric tape and wire loom.

The following steps and provided components are a recommended method of connecting the third brake light. If you intended on removing the expedition cap frequently, a quick disconnect is recommended.

Important Notes:

- Always refer to your vehicle's wiring schematic to help troubleshoot and properly tap into the factory lighting.
- It is highly recommended to have automotive electronics professional complete the installation to ensure the third brake light functions correctly. Talk to a wiring specialist before setting up the wiring portion.

Basic Instructions for Wiring a Third Brake Light

General Steps:

1. Remove the Factory Taillight:

- Follow the vehicle manufacturer's recommended steps to remove the factory driver-side taillight.

2. Disconnect the Brake Light Wiring Harness:

- Disconnect the factory brake light wiring harness from the taillight.

3. Identify Wire Leads:

- Use a voltmeter to identify the wire leads for the brake and running light functions.

4. Connect the Wires:

- Once the correct leads are identified, use the provided easy splice connectors and/or ground eyelet to complete the wiring.

- Connect the provided harness to both the factory taillight leads and the new LED third brake light as outlined in the instructions.

5. Routing the Wiring Harness:

- It is recommended to use factory holes if available. An alternative is to drill a 3/8" hole near the taillight housing to allow the wiring to pass through.

PAGE NUMBER	APPLICATION
10-11	TOYOTA TACOMA 2016-2023
12-13	TOYOTA TUNDRA 2022-2024
14-15	TOYOTA TUNDRA 2007-2021
16-17	JEEP GLADIATOR 2020-2024
18-19	FORD F-150 2021-2024
TBA	FORD F-250/F-350 2017-2022
20	FORD F-250/F-350 2023-2024
21-22	FORD RANGER 2019-2023
23-24	GM 1500 2019-2024
25-26	GM COLORADO/CANYON 2015-2022
27-28	GM COLORADO/CANYON 2023-2024
TBA	RAM 1500 2019-2024
29-30	RAM 2500/3500 2009-2024
TBA	FORD RANGER 2024
TBA	TOYOTA TACOMA 2024

On the optional provided third brake light, the yellow wire is ground. The blue wire is for the tail light. The red wire is for the brake light.

NOTE: Dependant on vehicle application, when hooking up the blue wire (tail light), when the turn signal is applied, the third brake light will also act as a turn signal. If you still want the third brake light to function, do not set up the blue wiring portion.

WIRING CONFIGURATION - TOYOTA TACOMA 2016-2023

1

Disconnect the vehicle battery prior to any wiring.

***Note:** The following is the recommended method of wiring the third brake light/running light. If you intend on frequently removing the cap, wiring with a quick disconnect is recommended.

After removing driver side factory tail light, disconnect the 3 Bulbs completely removing the tail light.

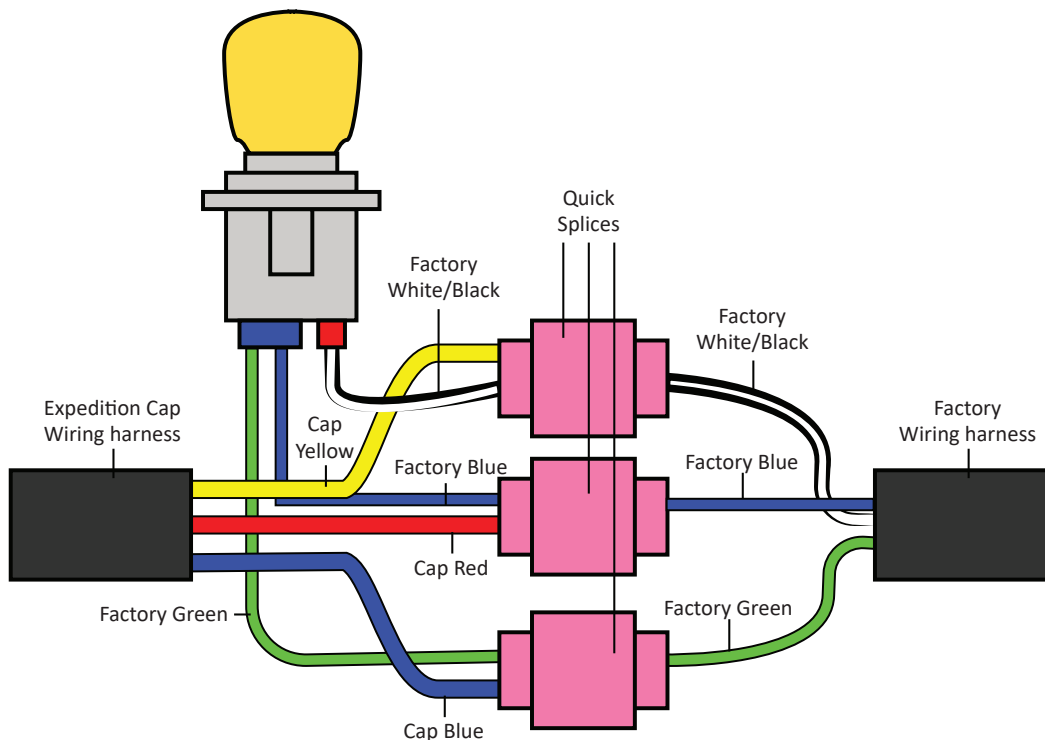
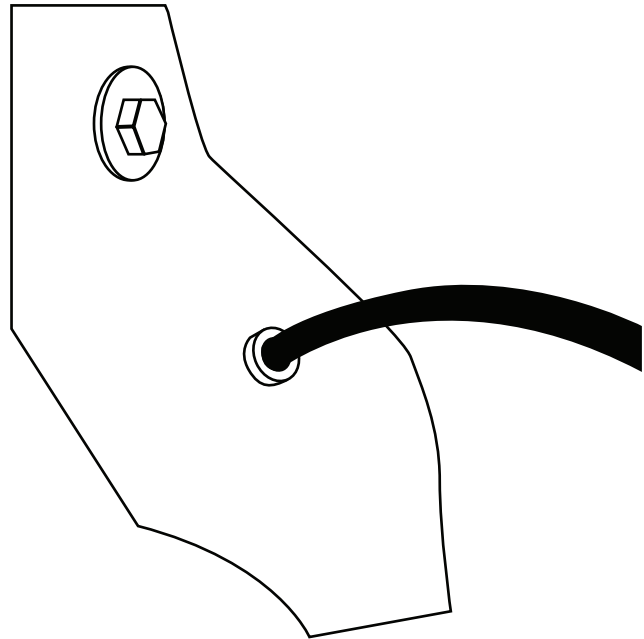
Drill a 3/8" hole 3 Inches below the bolt on the driver side in the back of the truck bed to feed the Expedition wiring harness. Use the rubber grommet in the drilled hole to prevent the wiring from chafing.

***Note:** Splices will be used on the middle brake light.

Connect the wiring harness based on the color wiring diagram below

Use the 3 provided Quick Splices and Expedition Cap wiring harness

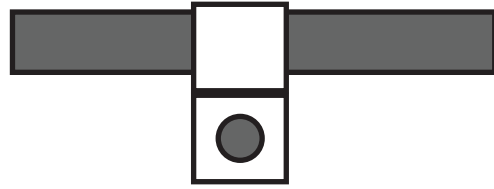
Provided quick splices are not insulated, it is recommended to cover connections with heat shrink tube and/or electrical tape



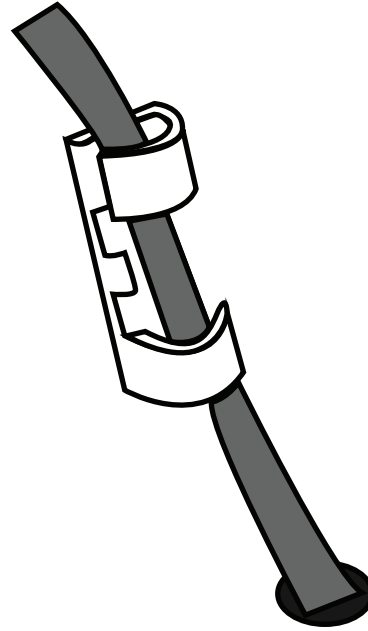
TOYOTA TACOMA 2016-2023 (CONT.)

2

Route the wiring harness through the pre-installed wiring guides to meet the 3rd brake light.



For extra cable management, use the adhesive clips to protect the wiring harness from being manipulated.



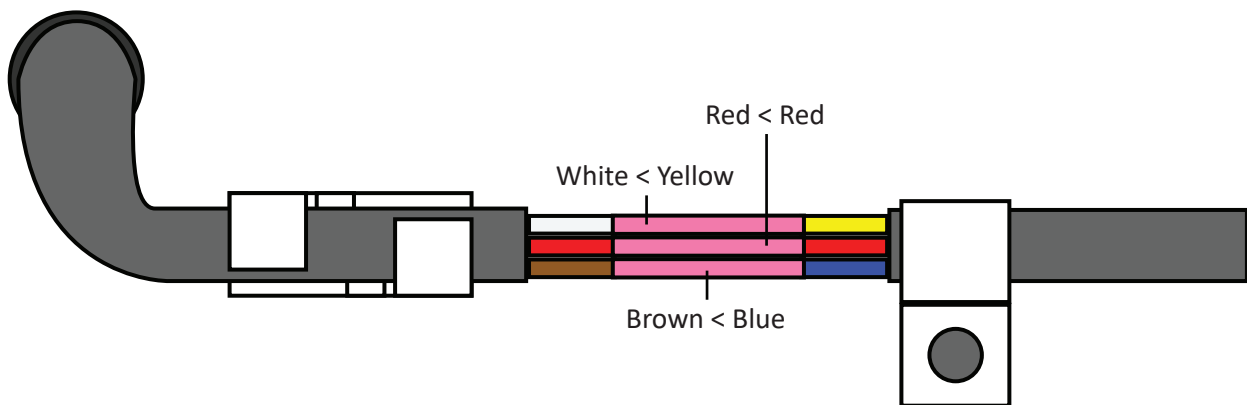
Using the 3 Butt connectors, connect the 3rd brake light wiring to the provided wiring harness Using the diagram below

Once connections are made, use heat gun to heat shrink butt connectors. Once complete, cover wires and butt connector with electric tape.

For the wiring to the 3rd brake light,

Yellow Wire > White Wire
Red Wire > Red Wire
Blue Wire > Brown Wire

Reconnect battery when finished, test light for function.



WIRING CONFIGURATION - TOYOTA TUNDRA 2022-2024

1

Disconnect the vehicle battery prior to any wiring.

***Note:** The following is the recommended method of wiring the third brake light/running light. If you intend on frequently removing the cap, wiring with a quick disconnect is recommended.

After removing driver side factory tail light, disconnect the 3 Bulbs completely removing the tail light.

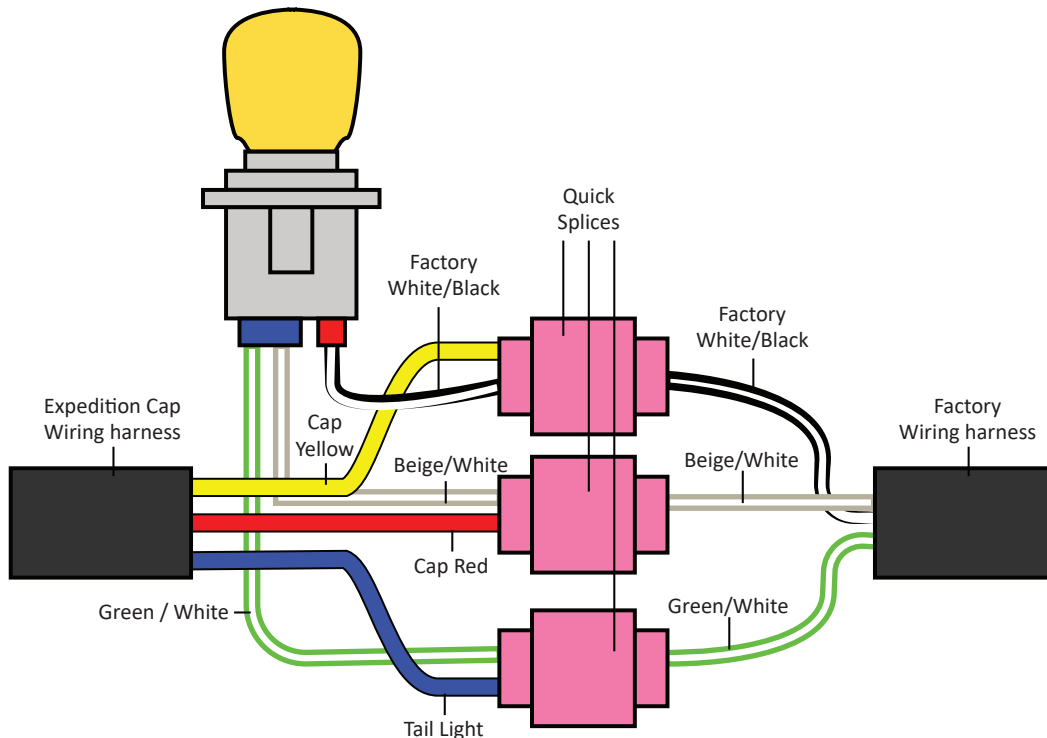
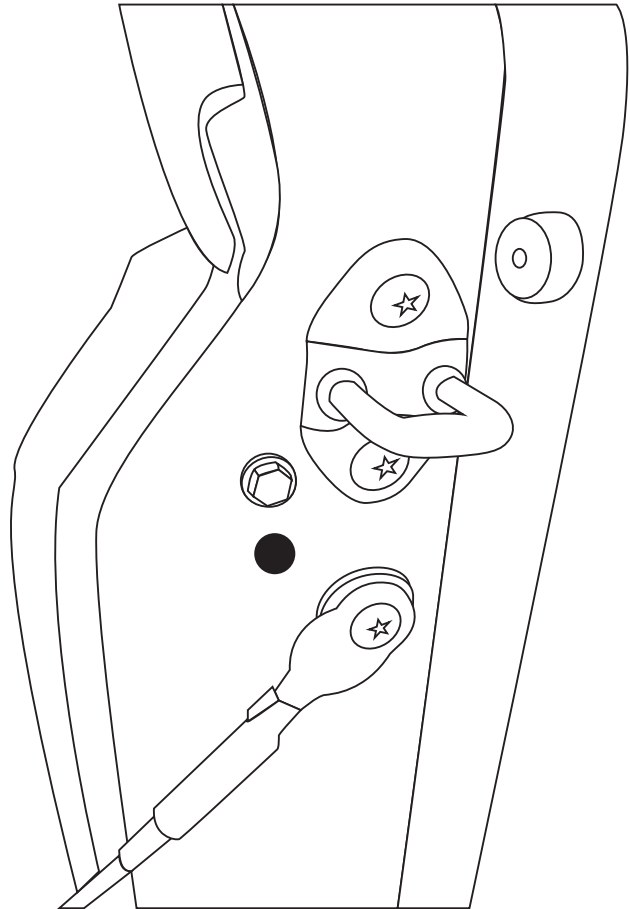
Drill a 3/8" hole 3 Inches below the bolt on the driver side in the back of the truck bed to feed the Expedition wiring harness. Use the rubber grommet in the drilled hole to prevent the wiring from chafing.

***Note:** Splices will be used on the middle brake light.

Connect the wiring harness based on the color wiring diagram below

Use the 3 provided Quick Splices and Expedition Cap wiring harness

Provided quick splices are not insulated, it is recommended to cover connections with heat shrink tube and/or electrical tape



TOYOTA TUNDRA 2022-2024 (CONT.)

2

Route the wiring harness through the pre-installed wiring guides to meet the 3rd brake light.

For extra cable management, use the adhesive clips to protect the wiring harness from being manipulated.

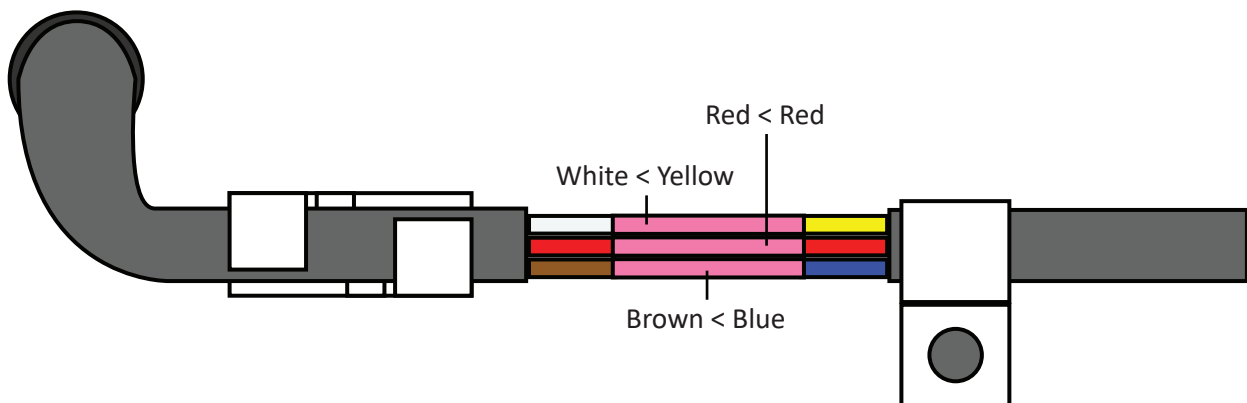
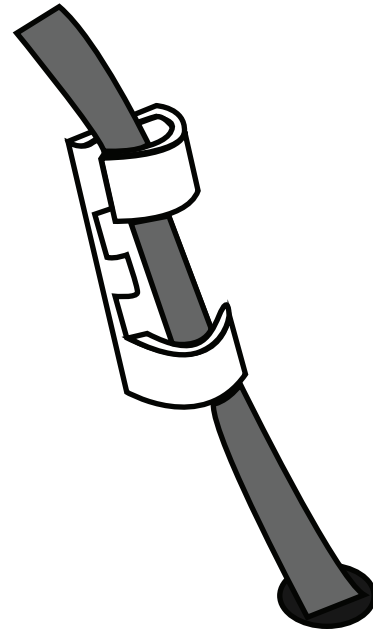
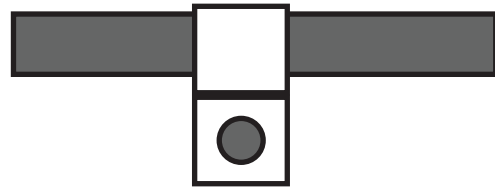
Using the 3 Butt connectors, connect the 3rd brake light wiring to the provided wiring harness
Using the diagram below

Once connections are made, use heat gun to heat shrink butt connectors. Once complete, cover wires and butt connector with electric tape.

For the wiring to the 3rd brake light,

Yellow Wire > White Wire
Red Wire > Red Wire
Blue Wire > Brown Wire

Reconnect battery when finished, test light for function.



WIRING CONFIGURATION - TOYOTA TUNDRA 2007-2021

1

Disconnect the vehicle battery prior to any wiring.

***Note:** The following is the recommended method of wiring the third brake light/running light. If you intend on frequently removing the cap, wiring with a quick disconnect is recommended.

After removing driver side factory tail light, disconnect the 3 Bulbs completely removing the tail light.

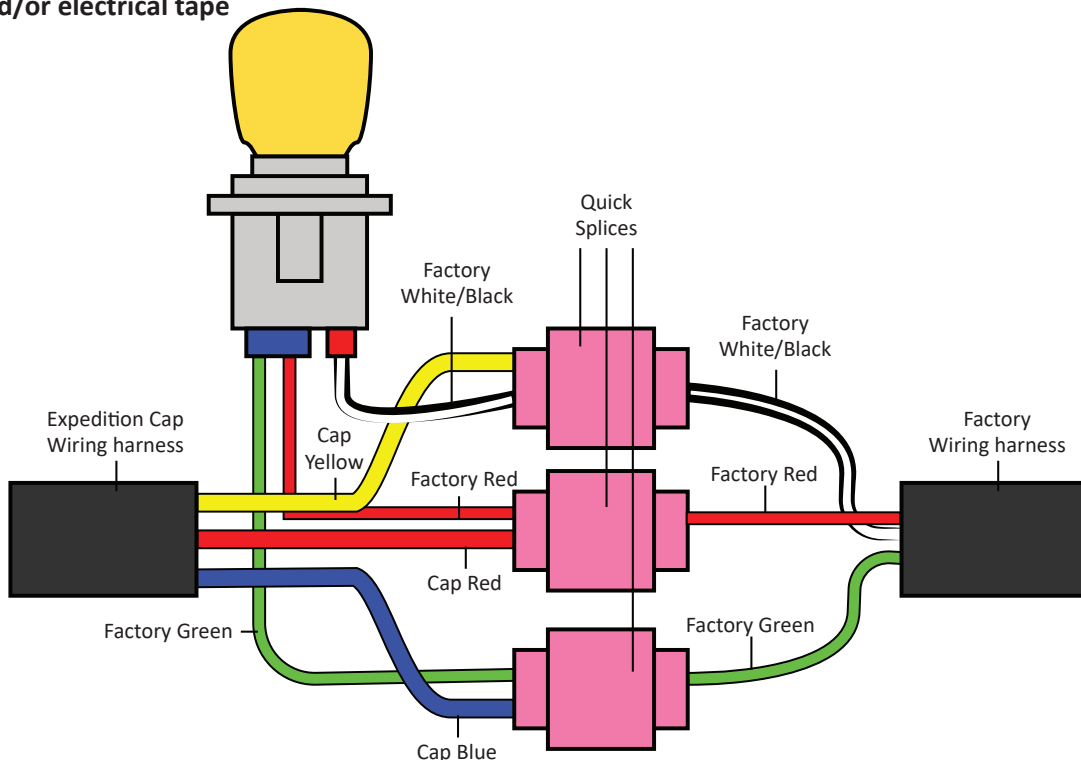
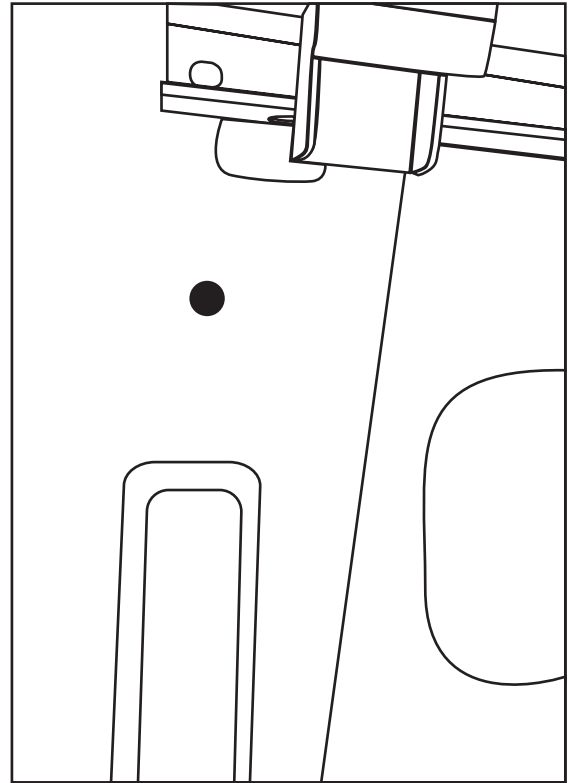
Route wiring harness from the taillight pocket, through the existing bed hole approximately 3 inches below the bed rail on the driver side. Feed the Expedition wiring harness up into the bed.

Note: Option use of a 5/8" rubber grommet can be used for the factory bed hole to prevent the wiring from chafing.

***Note:** Splices will be used on the bottom brake light

Connect the wiring harness based on the color wiring diagram below.

Use the 3 provided Quick Splices and Expedition Cap wiring harness Provided quick splices are not insulated, it is recommended to cover connections with heat shrink tube and/or electrical tape



TOYOTA TUNDRA 2007-2021 (CONT.)

2

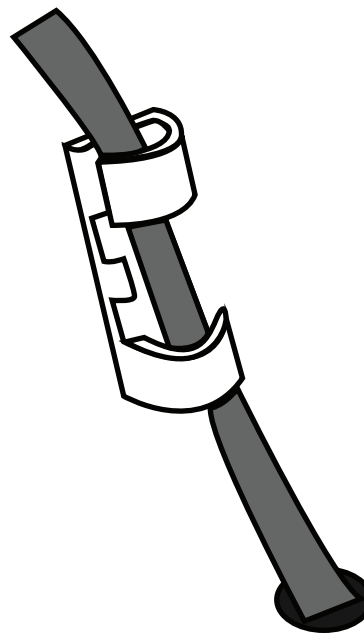
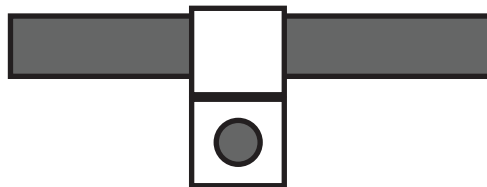
Route the wiring harness through the pre-installed wiring guides to meet the 3rd brake light

For extra cable management, use the adhesive clips to protect the wiring harness from being manipulated.

Using the 3 Butt connectors, connect the 3rd brake light wiring to the provided wiring harness

Using the diagram below Once connections are made, use heat gun to heat shrink butt connectors.

Once complete, cover wires and butt connector with electric tape.



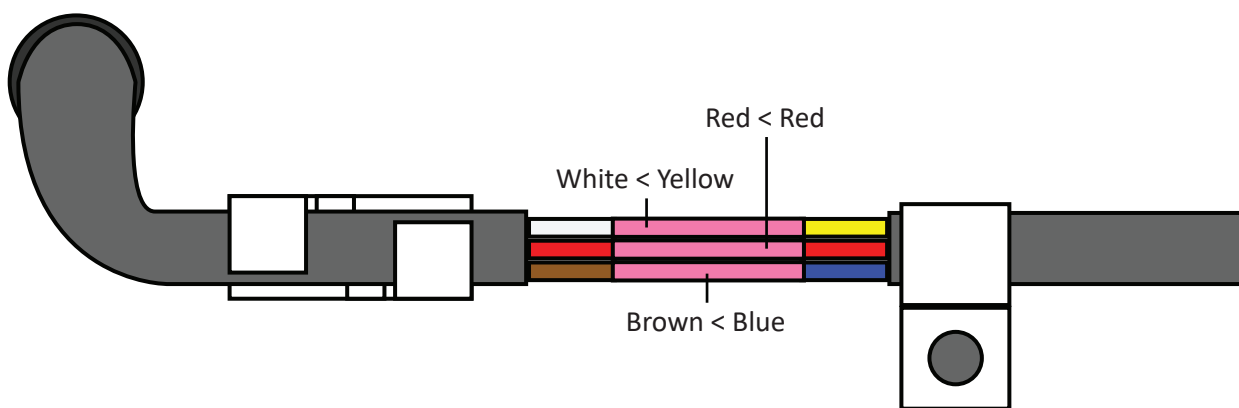
For the wiring to the 3rd brake light,

Yellow Wire > White Wire

Red Wire > Red Wire

Blue Wire > Brown Wire

Reconnect battery when finished, test light for function.



WIRING CONFIGURATION - JEEP GLADIATOR 2020-2024

AS OF 7-10-2024, THE JEEP GLADIATOR NO LONGER HAS A THIRD BRAKE LIGHT ON THE EXPEDITION TRUCK CAP.

1

Disconnect the vehicle battery prior to any wiring.

***Note:** The following is the recommended method of wiring the third brake light/running light. If you intend on frequently removing the cap, wiring with a quick disconnect is recommended.

After removing driver side factory taillight, disconnect the taillight from the wiring harness from the taillight.

Enlarge the factory hole in the bed to allow the provided wiring harness to go through the bed. Drill a hole 3/8" hole approx. 3 Inches below the bedrail on the driver side in the back of the truck bed to feed the Expedition wiring harness.

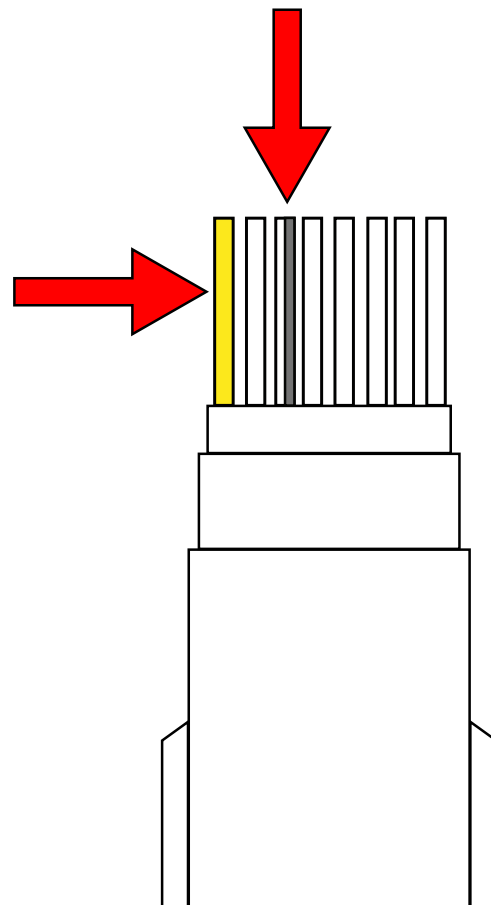
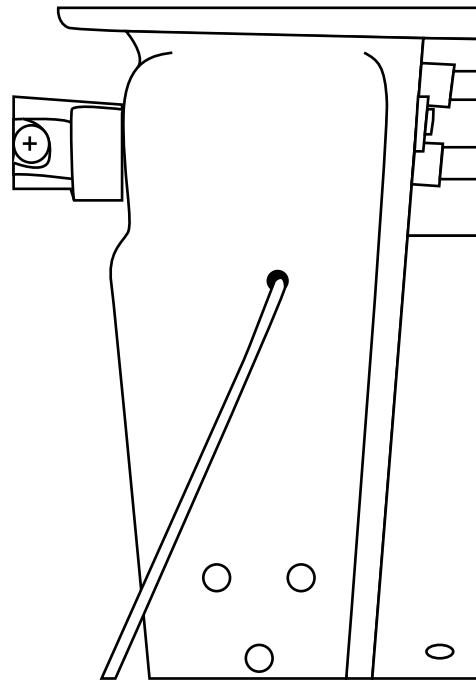
Use the included rubber grommet in the drilled hole to prevent the wiring from chafing.

***Note:** Qty 2 quick splices will be used on the factory brake light wiring harness. One wire of the provided wiring harness will be grounded to the vehicle.

Connect the wiring harness based on the color wiring diagram below.

Taillight brake light is yellow wire to the far left. Quick splice the red wire from the provided Expedition Cap harness to the yellow wire in the vehicle harness.

Running light is the factory white and grey wire. Quick splice the provided Expedition cap harness blue wire to the factory white and grey the vehicle harness.



JEEP GLADIATOR 2020-2024 (CONT.)

2

*Note: it may be required to trim factory harness loom to access the factory wires to use the provided quick splices.

*Note: It may also be required to cut the provided wiring harness loom to give enough slack to use quick splices to the vehicle factory harness and to ground the provided Expedition cap wiring harness.

Install ring butt connector to the yellow wire of the provided Expedition cap wiring harness. Heat shrink connection and cover with electrical tape.

Secure the ground to the factory bed bolt located behind the taillight using the provided nut.

Note: Provided quick splices are not insulated, it is recommended to cover connections with heat shrink tube and/or electrical tape

Route the wiring harness through the preinstalled wiring guides to meet the 3rd brake light

Using the 3 Butt connectors, connect the 3rd brake light wiring to the provided wiring harness

Using the diagram below Once connections are made, use heat gun to heat shrink butt connectors.

Once complete, cover wires and butt connector with electric tape.

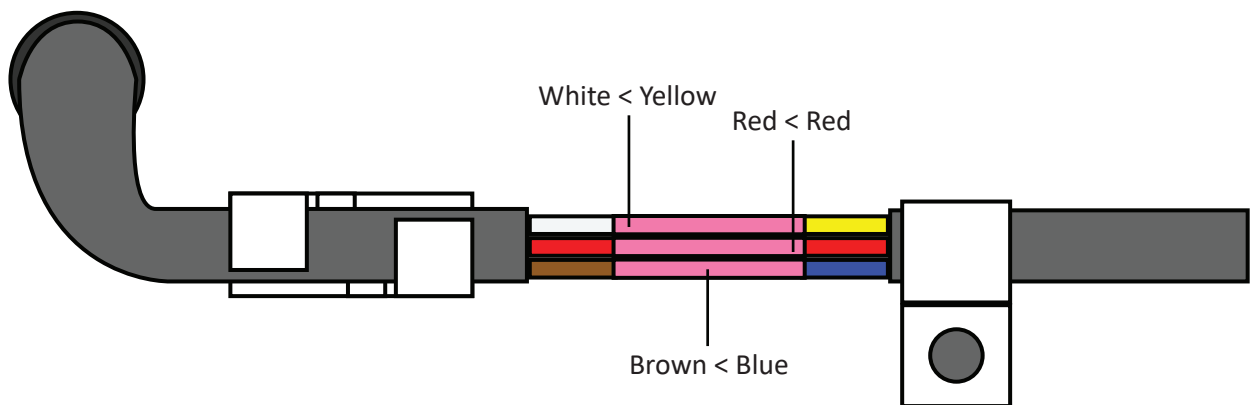
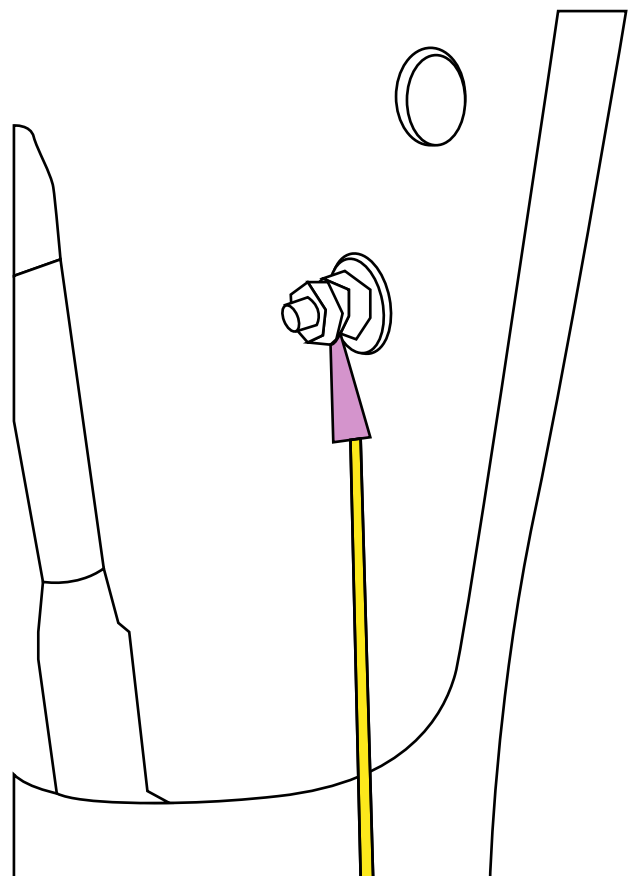
For the wiring to the 3rd brake light,

White Wire >Yellow Wire

Red Wire >Red Wire

Blue Wire >Brown Wire

Reconnect battery when finished, test light for function.



WIRING CONFIGURATION - FORD F-150 2021-2024

1

Note: Due to the tail light wiring configuration, the topper's brake light will blink with the left turn signal

After confirming wiring leads, disconnect the vehicle battery prior to any wiring.

***Note:** The following is the recommended method of wiring the third brake light/running light. If you intend on frequently removing the cap, wiring with a quick disconnect is recommended.

After removing driver side factory taillight, disconnect the break wiring harness to completely remove the tail light.

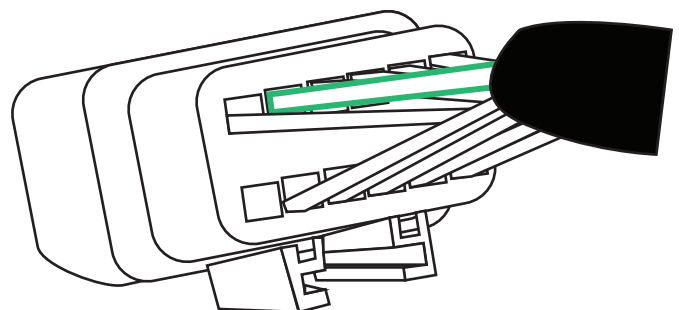
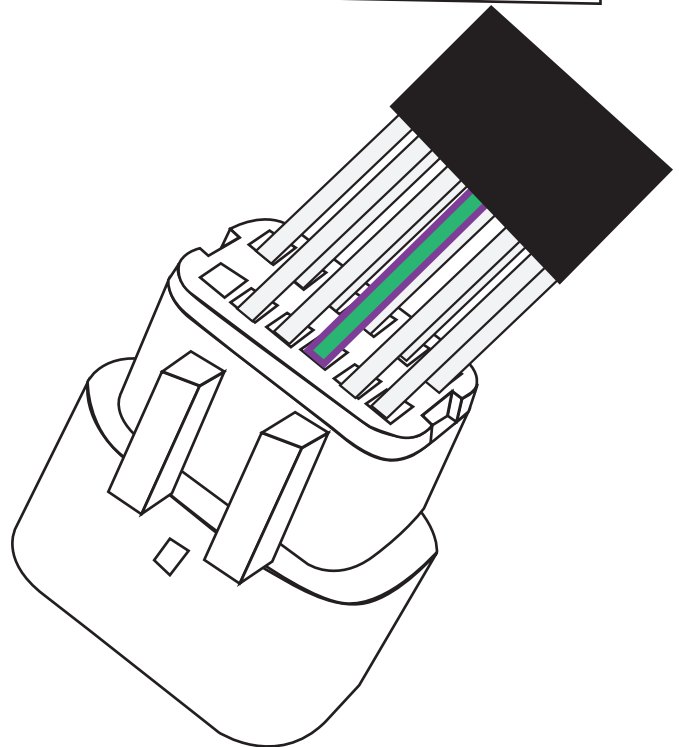
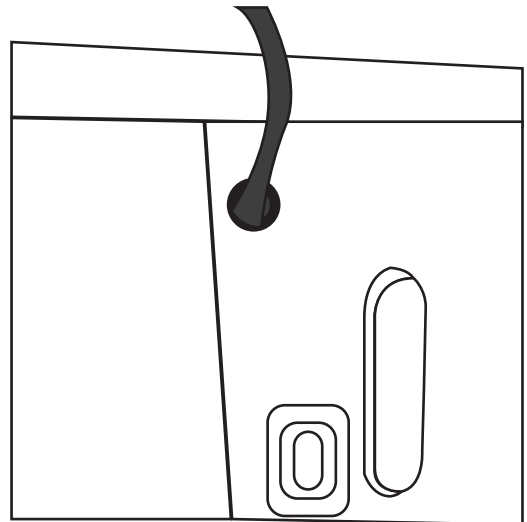
Route wiring harness from the factory hole in the bed and back down into the taillight assembly.
Note: Use provided rubber grommet for the factory bed hole to prevent the wiring from chafing.

***Note:** Splices will be used on the brake light bulb wiring. It may be necessary to cut factory loom to gain access to the wires.

Connect the provided Expedition Cap wiring harness based on the color wiring diagram below.

Running light is purple with green stripe, which is 3rd from the left bottom.

Brake light is white with green stripe, which is second from the far right top row.



Expedition Truck Cap

SET-UP & CARE INSTRUCTIONS

IT IS HIGHLY RECOMMENDED TO HAVE AUTOMOTIVE ELECTRONICS PROFESSIONAL COMPLETE THE INSTALLATION TO ENSURE THE THIRD BRAKE LIGHT FUNCTIONS CORRECTLY. TALK TO A WIRING SPECIALIST BEFORE SETTING UP THE WIRING PORTION.

FORD F-150 2021-2024 (CONT.)

2

Use the 2 provided Quick Splices and Expedition Cap wiring harness. Provided quick splices are not insulated, it is recommended to cover connections with heat shrink tube and/or electrical tape followed by wire loom to prevent wiring from snagging or being exposed.

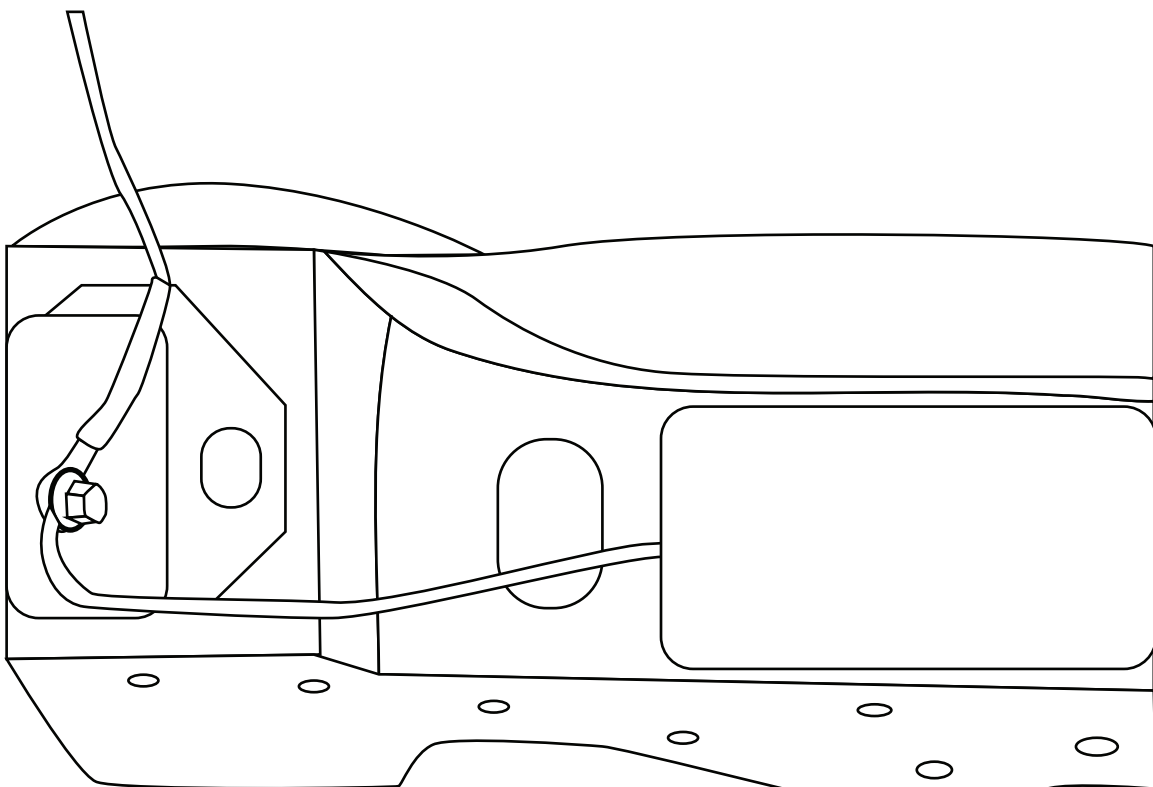
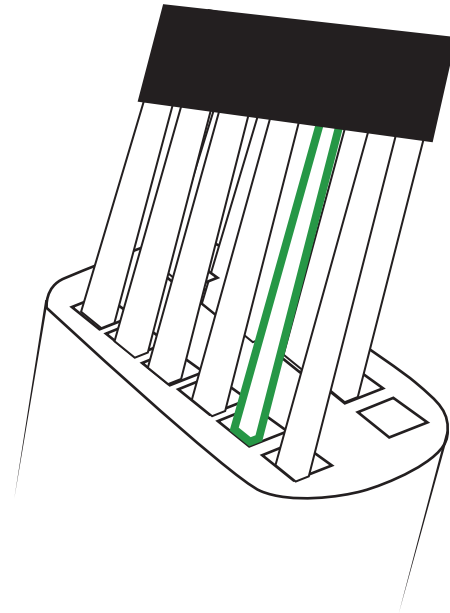
Cap Yellow > Provided Black Ground (run down to chassis ground)

Cap Blue > Factory Purple with Green Stripe

Cap Red > Factory White with Green Stripe

The ground will need to be extended. Using the included butt connector, extend the yellow wire in the provided wiring harness with the provided black wire. Attach the ring connector to the end of the provided black wire. Heat shrink and cover all connections.

The ground will be routed down the brake light wiring to connect to the factory chassis ground connection. It is recommended you zip tie the ground wire to the factory wiring harness to keep it up and routed away from the exhaust.



WIRING CONFIGURATION - FORD F-250 2023-2024

1

After confirming wiring leads, disconnect the vehicle battery prior to any wiring.

***Note:** The following is the recommended method of wiring the third brake light/running light. If you intend on frequently removing the cap, wiring with a quick disconnect is recommended.

After removing driver side factory taillight, disconnect the brake wiring harness to completely remove the tail light.

Route wiring harness from the factory hole in the bed and back down into the taillight assembly. **Note:** Use provided rubber grommet for the factory bed hole to prevent the wiring from chafing.

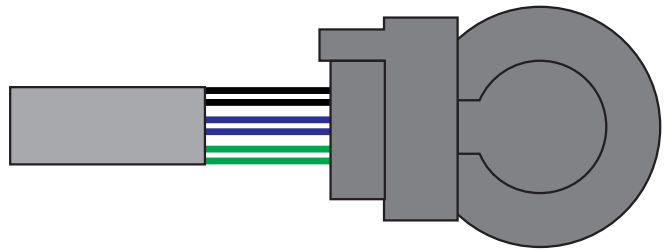
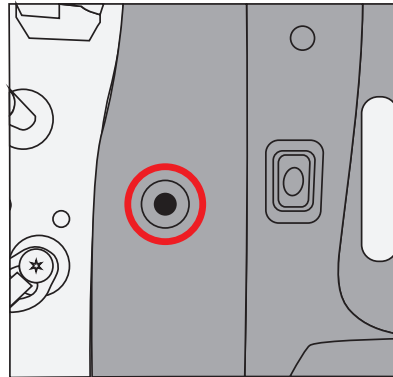
***Note:** 3 Splices will be used on the brake, running, and ground light bulb wiring. It may be necessary to cut factory loom to gain access to the wires.

Connect the provided Expedition Cap wiring harness based on the color wiring diagram below.

Running light is blue/white, which is the middle wire.

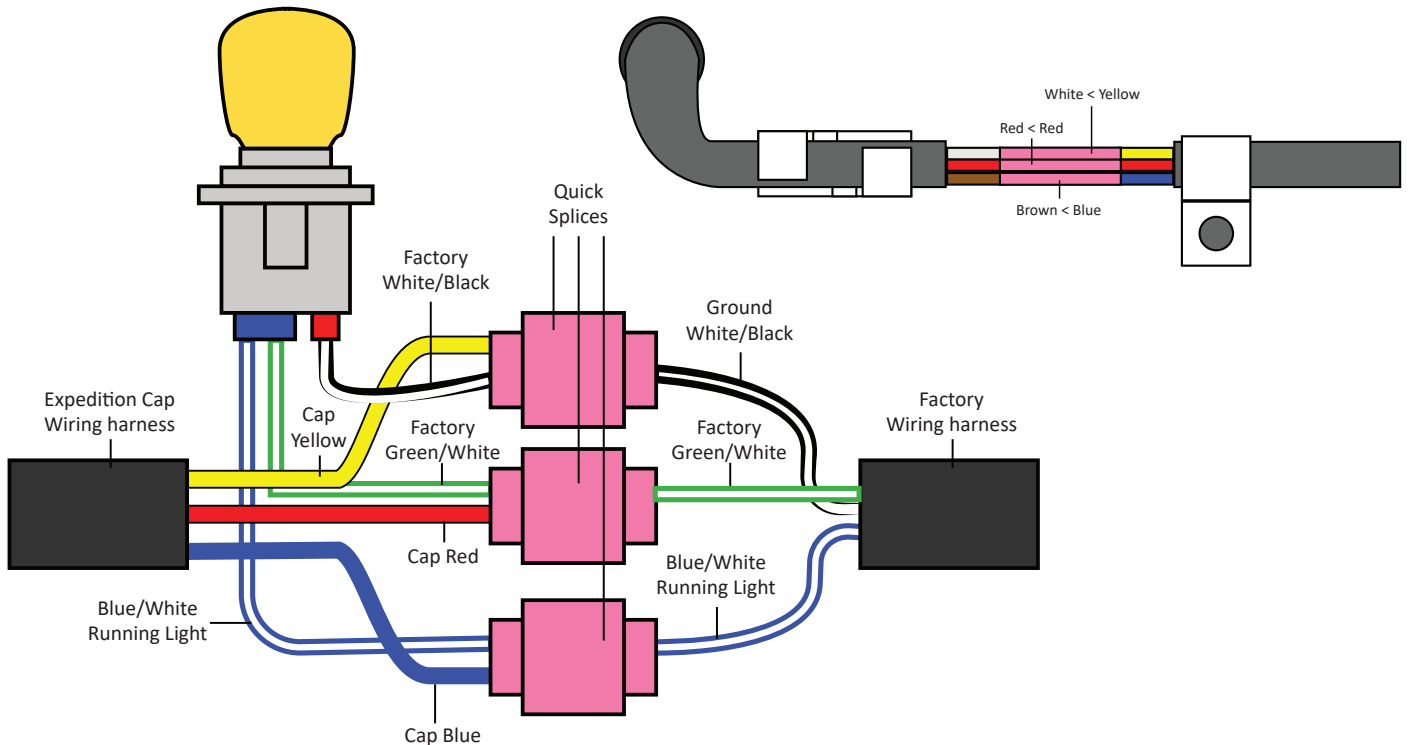
Brake light is green/white, which is the bottom wire

Ground wire is black/white, the top wire



For the wiring to the 3rd brake light,
Yellow Wire > White Wire
Red Wire > Red Wire
Blue Wire > Brown Wire

Reconnect battery when finished, test light for function.



WIRING CONFIGURATION - FORD RANGER 2019-2023

1

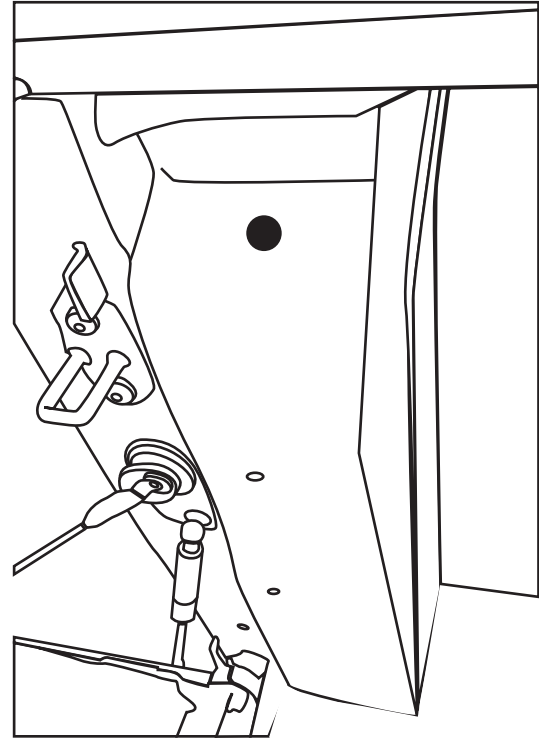
Disconnect the vehicle battery prior to any wiring.

***Note:** The following is the recommended method of wiring the third brake light/running light. If you intend on frequently removing the cap, wiring with a quick disconnect is recommended.

After removing driver side factory taillight, disconnect the taillight by pulling up on the red connection lock and pressing the grey tab and release the wiring harness from the taillight.

Drill a hole 3/8" hole approx. 3 inches below the bedrail on the driver side in the back of the truck bed to feed the Expedition wiring harness. Use the included rubber grommet in the drilled hole to prevent the wiring from chafing.

***Note:** Qty 2 quick splices will be used on the factory brake light wiring harness. One wire of the provided wiring harness will be grounded to the vehicle.

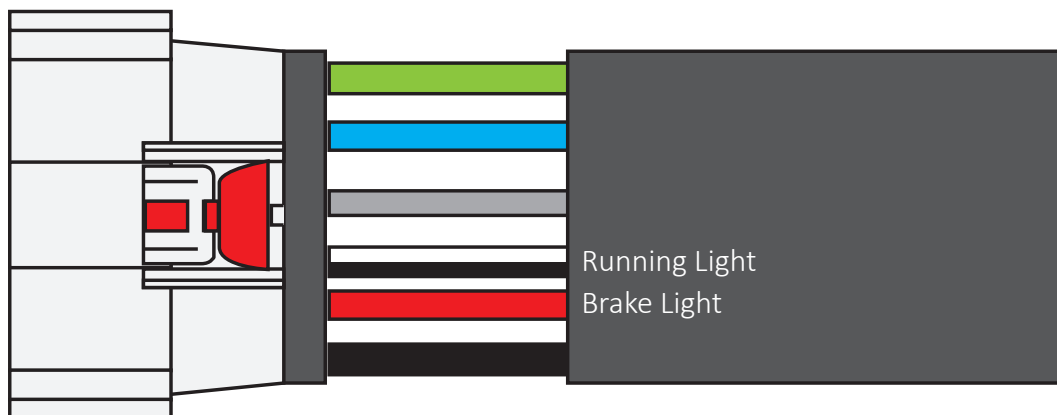


Connect the wiring harness based on the color wiring diagram below.

Taillight brake light is red wire second terminal from the far right on the top with the red tab facing towards the top. Quick splice the red wire from the provided Expedition Cap harness to the red wire in the vehicle harness in the top 2nd from the top far right.

Running light is terminal to the left of the brake light. Top row third from the far right with red tab facing towards the top. Factory vehicle wire color is black with white stripe. Quick splice the provided Expedition cap harness blue wire to the black and white wire in the vehicle harness in the third from the top far right terminal.

***Note:** it may be required to trim factory harness loom to access the factory wires to use the provided quick splices.



2

***Note:** It may also be required to cut the provided wiring harness loom to give enough slack to use quick splices to the vehicle factory harness and to ground the provided Expedition cap wiring harness.

Install ring butt connector to the yellow wire of the provided Expedition cap wiring harness. Heat shrink connection and cover with electrical tape. Secure the ground to the factory bed bolt located behind the taillight using the provided nut.

Note: Provided quick splices are not insulated, it is recommended to cover connections with heat shrink tube and/or electrical tape

Route the wiring harness through the preinstalled wiring guides to meet the 3rd brake light

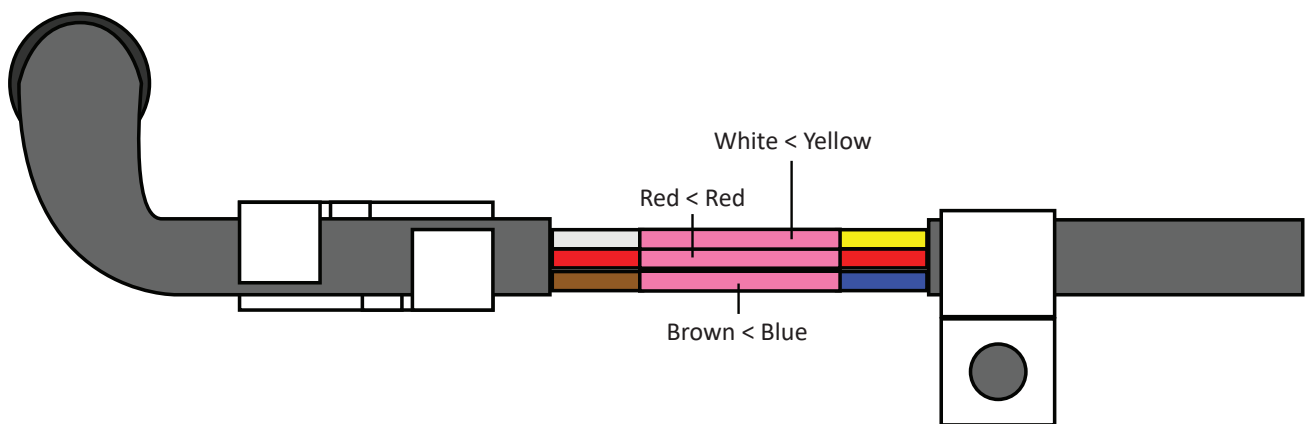
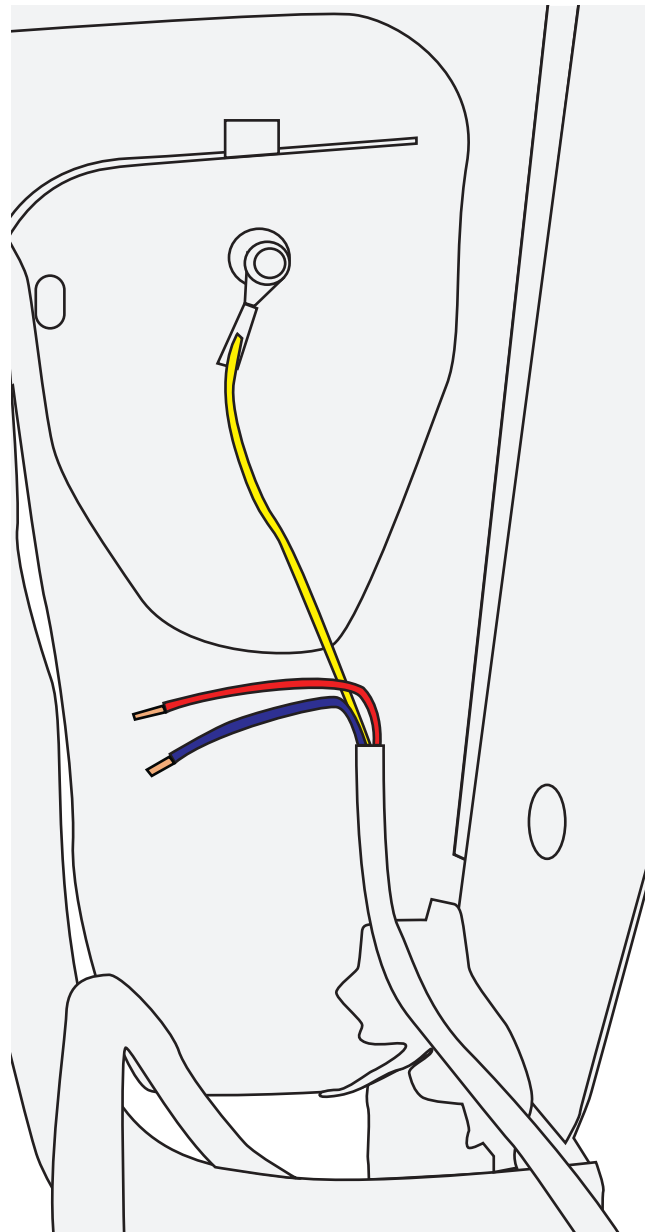
For extra cable management, use the adhesive clips to protect the wiring harness from being manipulated.

Using the 3 Butt connectors, connect the 3rd brake light wiring to the provided wiring harness. Using the diagram below Once connections are made, use heat gun to heat shrink butt connectors.

Once complete, cover wires and butt connector with electric tape.

For the wiring to the 3rd brake light,
Yellow Wire >White Wire
Red Wire >Red Wire
Blue Wire >Brown Wire

Reconnect battery when finished, test light for function.



WIRING CONFIGURATION - GM 1500 2019-2024

Note: Due to the tail light wiring configuration, the top-
per's brake light will blink with the left turn signal

After confirming wiring leads, disconnect the vehicle battery
prior to any wiring.

***Note:** The following is the recommended method of wiring
the third brake light/running light. If you intend on frequently
removing the cap, wiring with a quick disconnect is recom-
mended.

After removing driver side factory tail light, disconnect the
break/running bulb completely removing the tail light.

Route wiring harness from the factory hole in the bed,
through the stake pocket and back down into the taillight
assembly. **Note:** Optional use of a 7/8" provided rubber
grommet can be used for the factory bed hole to prevent the
wiring from chafing.

***Note:** Splices will be used on the brake light bulb wiring. It
may be necessary to cut factory loom to gain access to the
wires.

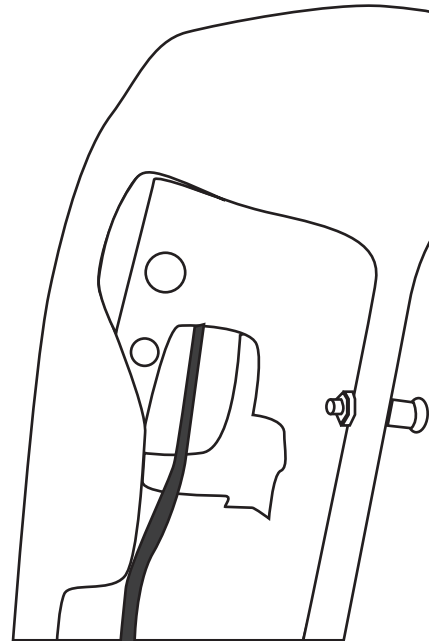
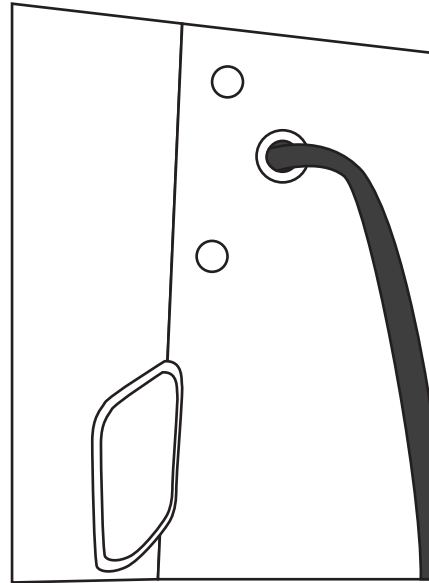
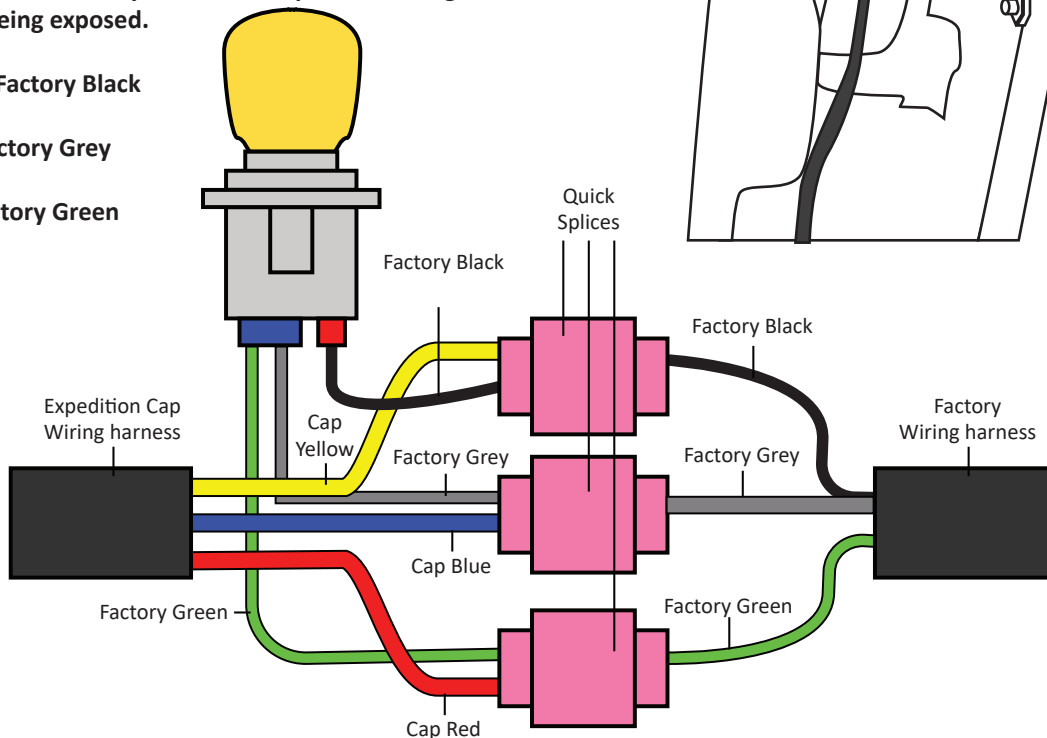
Connect the wiring harness based on the color wiring dia-
gram below.

Use the 3 provided Quick Splices and Expedition Cap wiring
harness Provided quick splices are not insulated, it is recom-
mended to cover connections with heat shrink tube and/or
electrical tape followed by wire loom to prevent wiring from
snagging or being exposed.

Cap Yellow > Factory Black

Cap Blue > Factory Grey

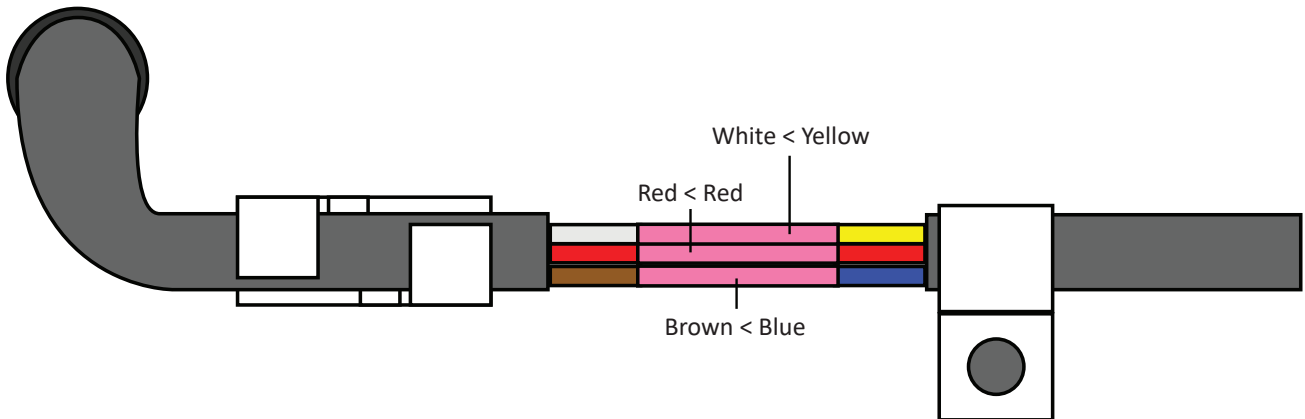
Cap Red > Factory Green



2

For the wiring to the 3rd brake light,
Yellow Wire > White Wire
Red Wire > Red Wire
Blue Wire > Brown Wire

Reconnect battery when finished, test light for function.



WIRING CONFIGURATION - GM COLORADO/CANYON 15-22

TBD

2

TBD

WIRING CONFIGURATION - GM COLORADO/CANYON 2023+

After confirming wiring leads, disconnect the vehicle battery prior to any wiring.

***Note:** The following is the recommended method of wiring the third brake light/running light. If you intend on frequently removing the cap, wiring with a quick disconnect is recommended.

After removing driver side factory tail light, disconnect the break/running bulb completely removing the tail light.

Route wiring harness from the factory hole in the bed, through the stake pocket and back down into the taillight assembly. **Note:** Optional use of a 7/8" provided rubber grommet can be used for the factory bed hole to prevent the wiring from chafing.

***Note:** Splices will be used on the brake light bulb wiring. It may be necessary to cut factory loom to gain access to the wires.

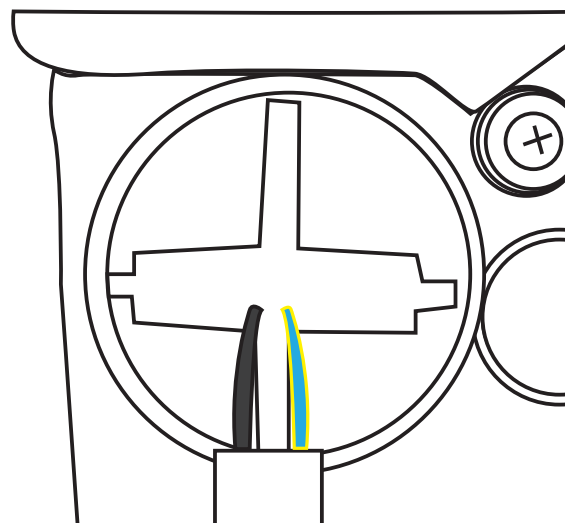
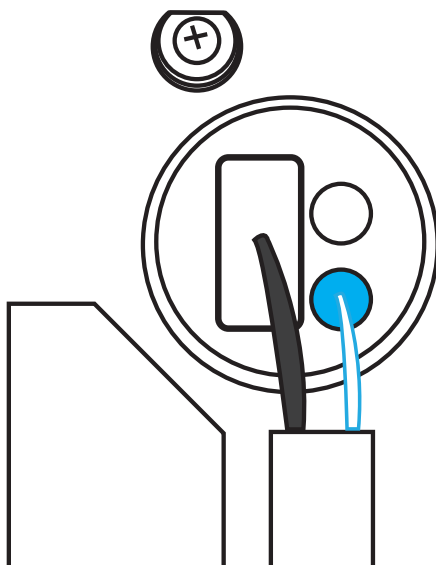
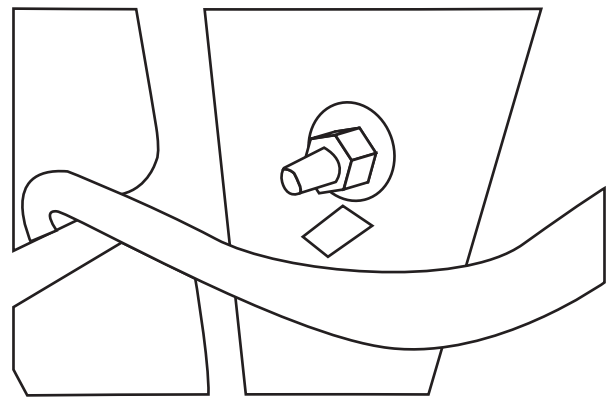
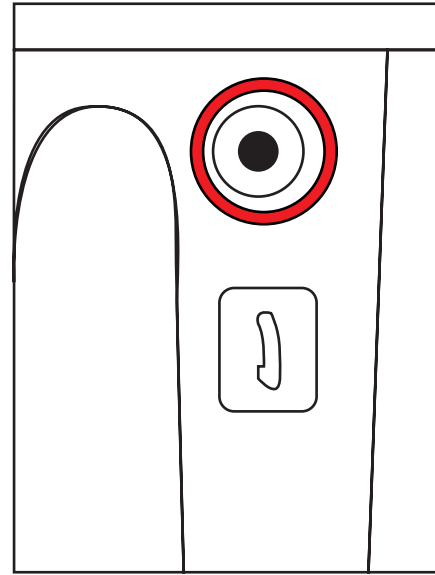
Connect the wiring harness based on the color wiring diagram below.

Use the 2 provided Quick Splices and Expedition Cap wiring harness. Provided quick splices are not insulated, it is recommended to cover connections with heat shrink tube and/or electrical tape followed by wire loom to prevent wiring from snagging or being exposed.

Cap Yellow > Ground

Cap Blue > Factory Blue/Yellow

Cap Red > Factory Blue/White

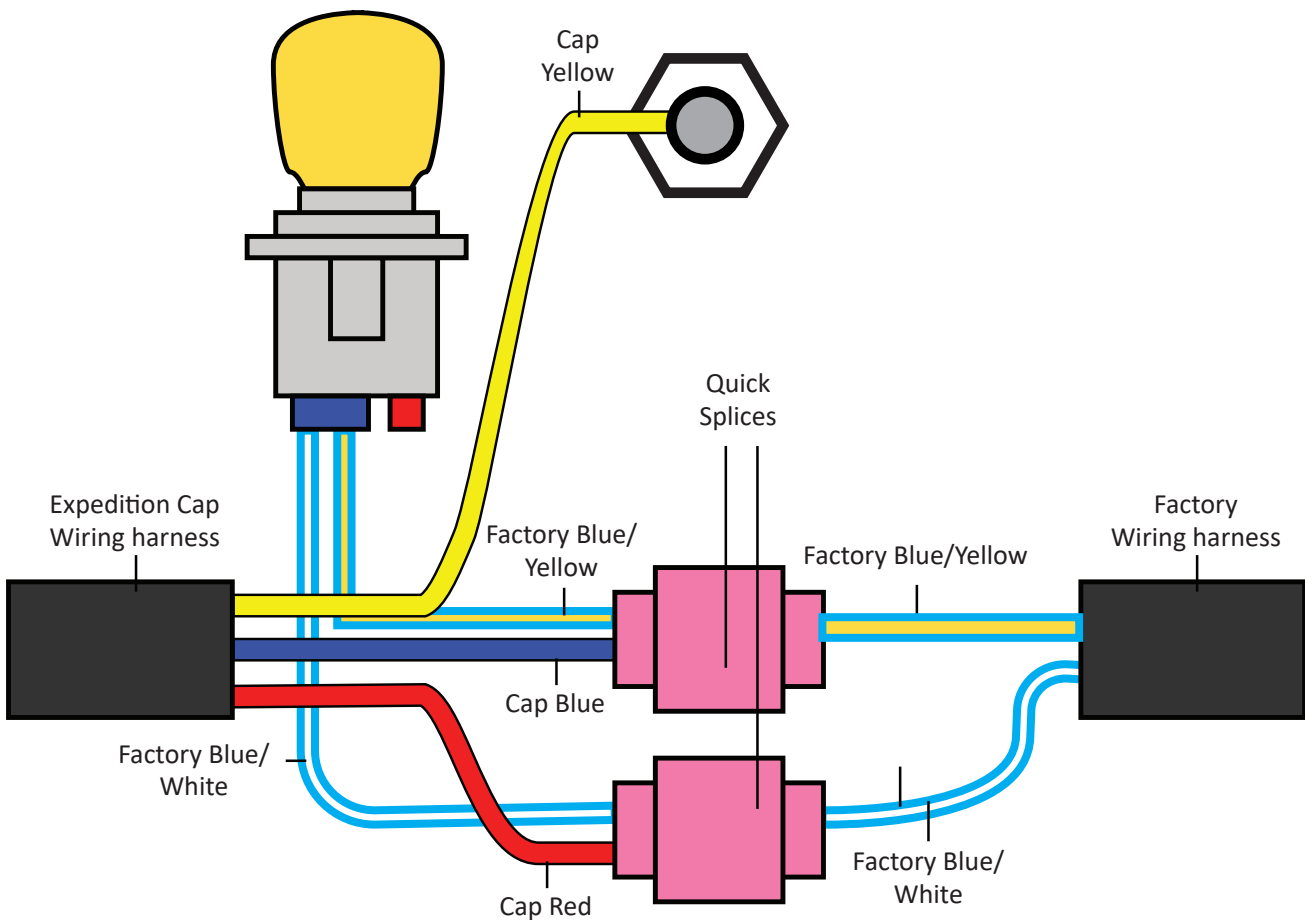
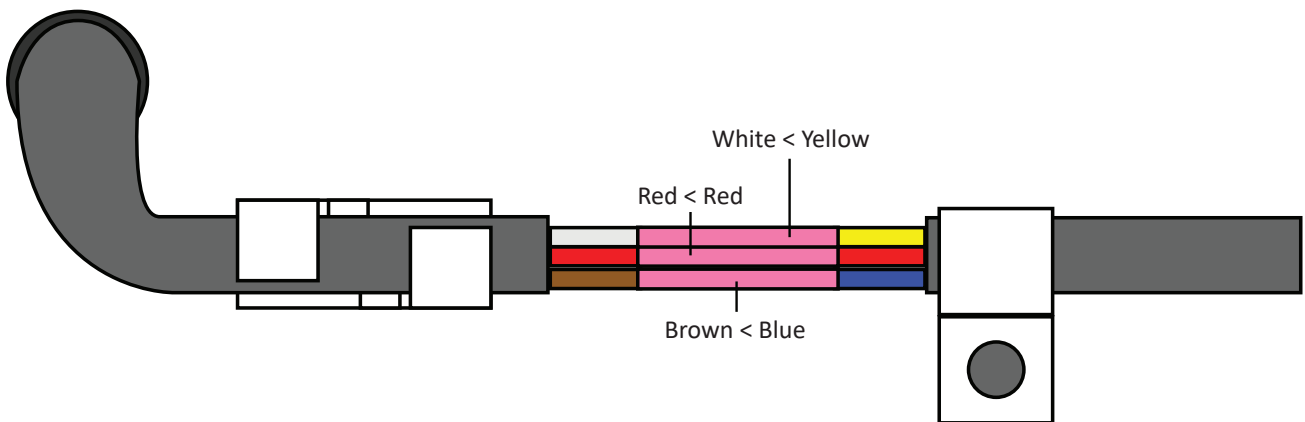


GM COLORADO/CANYON 2023+ (CONT)

2

For the wiring to the 3rd brake light,
Yellow Wire > White Wire
Red Wire > Red Wire
Blue Wire > Brown Wire

Reconnect battery when finished, test light for function.



WIRING CONFIGURATION - RAM 2500/3500 2009-2024

Note: Due to the tail light wiring configuration, the top-per's brake light will blink with the left turn signal on all 2019+ Ram Models

After confirming wiring leads, disconnect the vehicle battery prior to any wiring.

***Note:** The following is the recommended method of wiring the third brake light/running light. If you intend on frequently removing the cap, wiring with a quick disconnect is recommended.

After removing driver side factory tail light, disconnect the wire harness, completely removing the tail light.

Enlarge factory hole and drill to 3/8" hole on the driver side in the back of the truck bed to feed the Expedition wiring harness. Use the rubber grommet in the drilled hole to prevent the wiring from chafing.

***Note:** Splices will be used on the brake light bulb wiring. It may be necessary to cut factory loom to gain access to the wires.

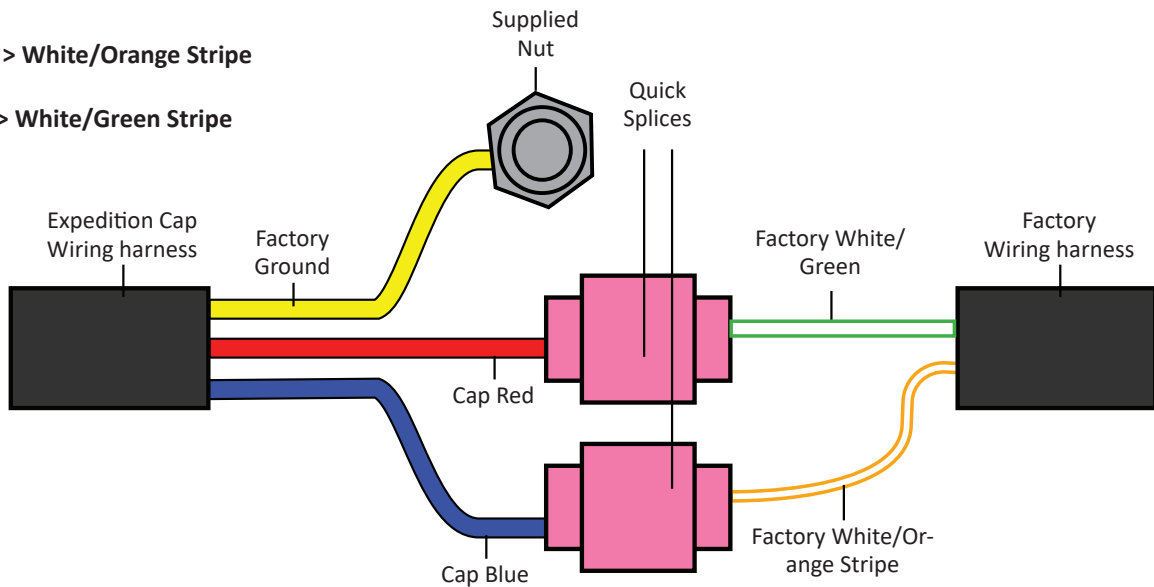
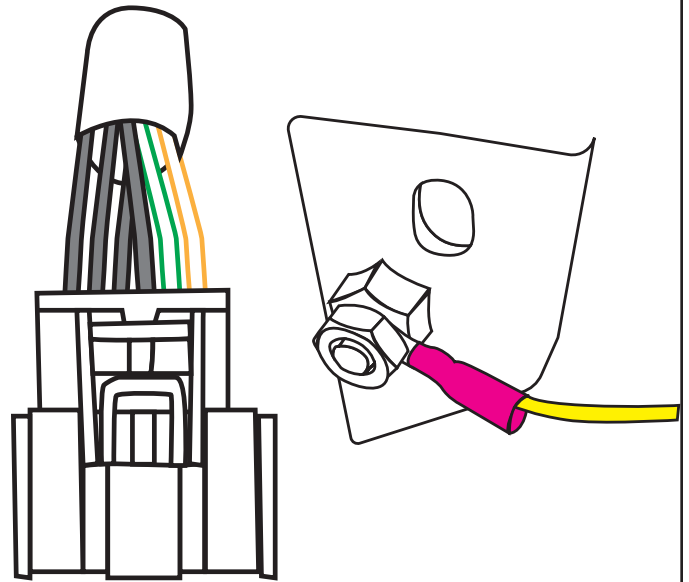
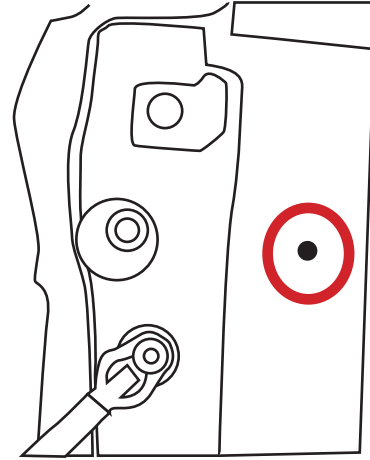
Connect the wiring harness based on the color wiring diagram below.

Use the 2 provided Quick Splices and Expedition Cap wiring harness Provided quick splices are not insulated, it is recommended to cover connections with heat shrink tube and/or electrical tape followed by wire loom to prevent wiring from snagging or being exposed.

Cap Yellow > Ground to Vehicle

Cap Blue > White/Orange Stripe

Cap Red > White/Green Stripe



Expedition Truck Cap

SET-UP & CARE INSTRUCTIONS

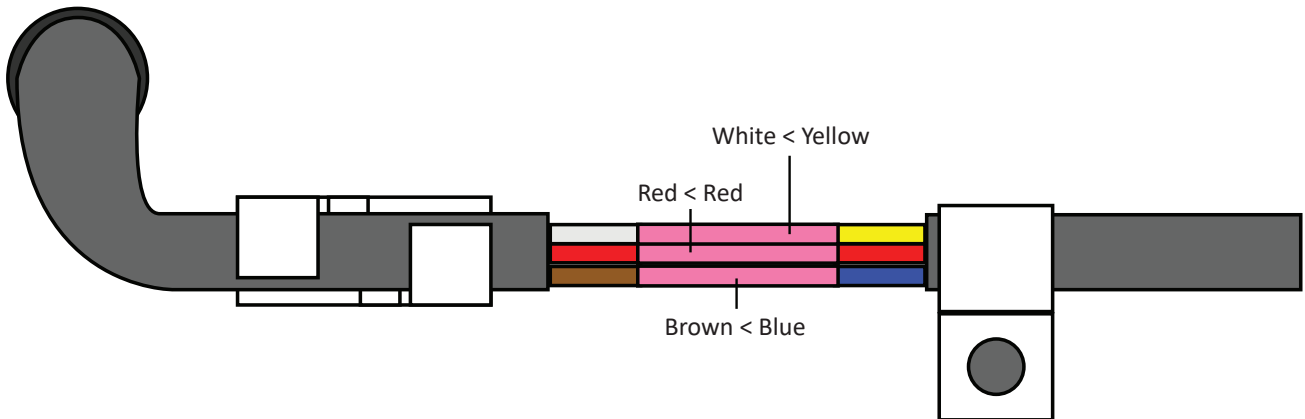
IT IS HIGHLY RECOMMENDED TO HAVE AUTOMOTIVE ELECTRONICS PROFESSIONAL COMPLETE THE INSTALLATION TO ENSURE THE THIRD BRAKE LIGHT FUNCTIONS CORRECTLY. TALK TO A WIRING SPECIALIST BEFORE SETTING UP THE WIRING PORTION.

RAM 2500/3500 2009-2024 (CONT.)

2

For the wiring to the 3rd brake light,
Yellow Wire > White Wire
Red Wire > Red Wire
Blue Wire > Brown Wire

Reconnect battery when finished, test light for function.



Expedition Truck Cap

SET-UP & CARE INSTRUCTIONS

SEPTEMBER 2024

CLEANING

Clean with water, automotive detail soaps, and microfiber towels. Do not use automotive wax or polish on textured finish. Do not expose to petrol, diesel, oils, or other harsh chemicals.

STORING

Store in a cool and dry area, when not in use.



⚠️ WARNINGS

- Always close the tailgate before closing the rear door and always open the rear door before you open the tailgate to prevent damage to the Expedition Truck Cap and Vehicle.
- It is highly recommended to have automotive electronics professional complete the installation to ensure the third brake light functions correctly. Talk to a wiring specialist before setting up the wiring portion.
- Use only the tools recommended.
- Use provided hardware
- It is recommended that 4 people to place cap on vehicle to avoid damaging the vehicle or the cover.
- It is recommended to re-tighten all fasteners after the first 50 miles and every 500 miles thereafter
- We recommend tightening the clamps by hand, once finished, tighten with wrench. Power tool NOT recommended.
- Do not use a heat gun near combustible or flammable materials/atmospheres.



DO YOU NEED OUR HELP?



CUSTOMER SUPPORT 833-226-4863



SALES@OVERLANDVEHICLESYSTEMS.COM

WANT TO SHOW US YOUR RIG?
CHECK OUT OUR SOCIAL!

@overlandvehiclesystems

