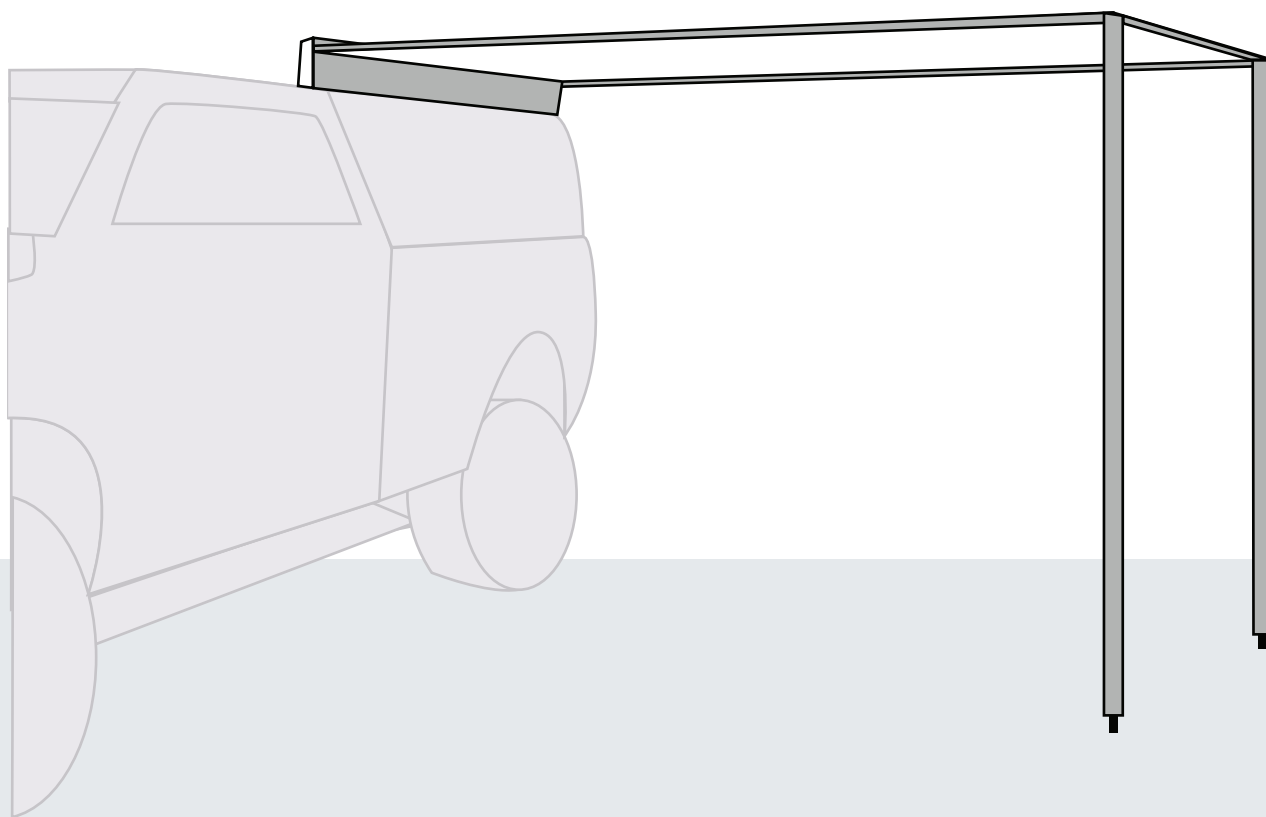




2.0 - 6.5 Foot Awning Instructions



**CAREFULLY READ INSTRUCTIONS
PRIOR TO THE FIRST USE OF THE
2.0 - 6.5 FT AWNING**

GET TO KNOW YOUR PULL OUT AWNING

We recommend you check all parts are included prior to first use.

COMPONENTS NEEDED

2x L-Brackets
8x M6 Stainless Steel Bolts
8x Nylon Lock Nut

2x Guide Ropes
2x Stakes

YOUR PULL OUT AWNING HAS BEEN DESIGNED FOR UNIVERSAL FITMENT TO MOST MAKES AND MODELS OF FOUR WHEEL DRIVES AND COMMERCIAL VEHICLES. YOUR AWNING CAN BE MOUNTED IN 4 DIFFERENT STYLES AND OUTLINED BELOW. YOUR AWNING CAN EITHER BE MOUNTED DIRECTLY TO A ROOF RACK, ON THE ALUMINUM CROSS RAILS PROVIDED (BEST FOR ROOF BAR/RAIL SYSTEMS), DIRECTLY ONTO ROOF RAILS THAT RUN ACROSS THE VEHICLE OR DIRECTLY TO THE TOP OF A REINFORCED CANOPY. IT IS IMPORTANT WHEN MOUNTING THE AWNING TO ENSURE IT IS POSITIONED TO ALLOW SUFFICIENT CLEARANCE FOR THE VEHICLE DOORS TO OPEN.

AWNING INSTALLATION OPTION 1

MOUNTING DIRECTLY TO A ROOF RACK

Slide the small bolts into the mounting rail of the awning.

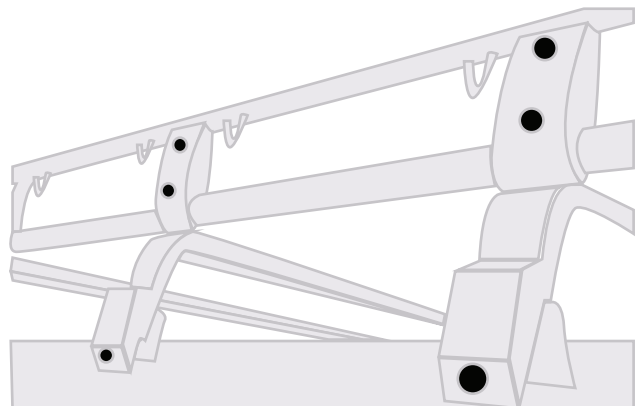
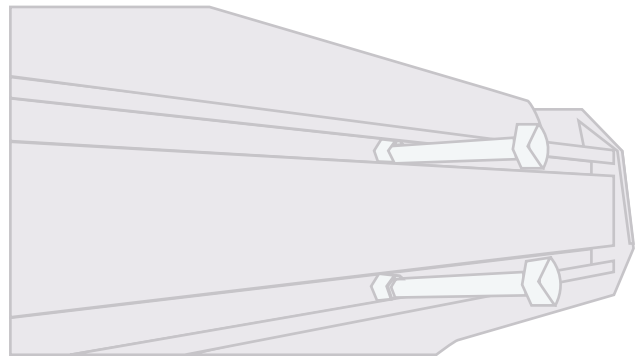
With help from another person, hold the awning in the place and mark the mounting holes for the awning, it is best to have the mounting bolts as far apart as possible.

Carefully drill the holes into the roof rack.

Align awning into desired position and tighten the nuts.

Re-check all nuts and bolts periodically.

Alternatively if mounting the awning to a roof top tent rack the "L" shaped brackets may be used as seen below (Similar to option 3), by bolting the long side of these brackets to the underside of the flat plates where the roof rack meets the roof rack brackets.



AWNING INSTALLATION OPTION 2

UTILIZING THE ALUMINUM MOUNTING RAILS

(RECOMMENDED FOR ROOF BARS/RAIL THAT RUN LENGTHWAYS FRONT TO BACK ON THE VEHICLE).

Install the long bolts into the slide plates, and slide 2 plates into each corner of the mounting rails.

Sit both cross braces on the roof bars/roof rack rails central, the 2 slide plates each corner will sit either side of the roof rails, with a base plate underneath to clamp to each rail. One end of the cross braces will have 2 holes drilled on the flat side to suit the "L" shaped brackets, this end is for the awning mount and goes to side of the vehicle to which the awning will be mounted. Both braces should be separated as far as possible to provide stability.

Ensure that the cross braces are positioned to allow the awning to be reached easily, and is also clear of moving parts. If required the mounting rails can be marked and cut down shorter, depending on the width of the roof rails.

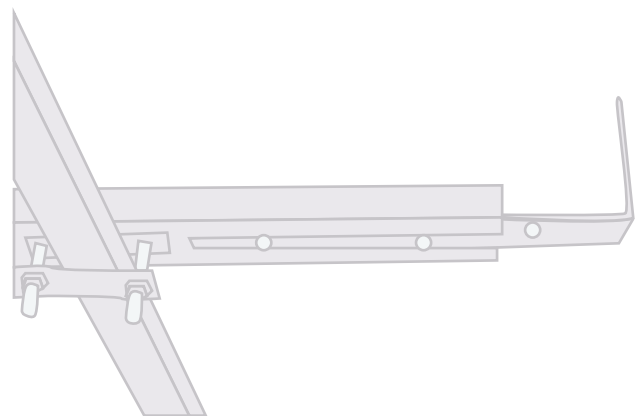
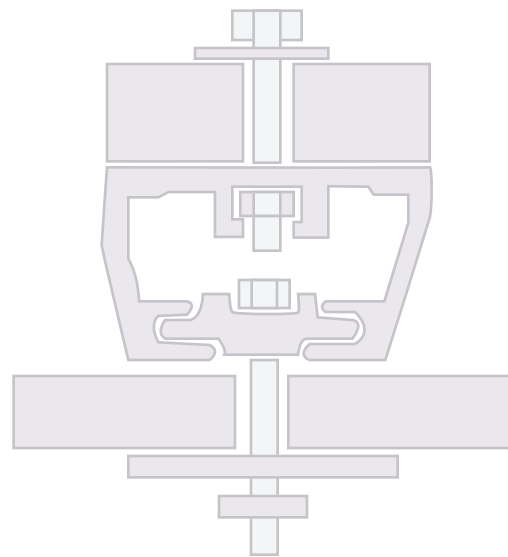
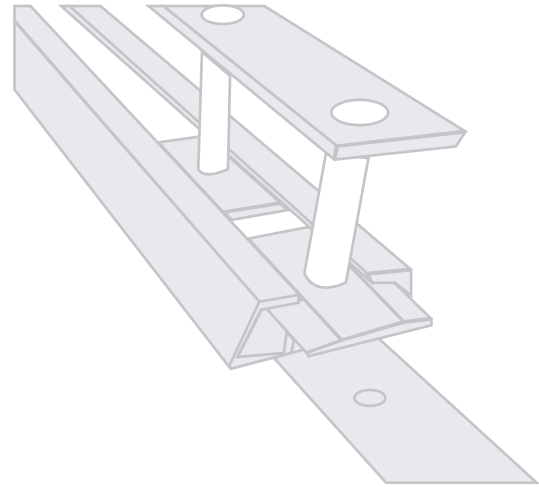
Loosely fit the base clamping plate under the Rail or Bar and fit a nyloc nut on each bolt on each end of both braces as seen to the right, as to clamp the rail. It is best not to fully tighten the nut yet to allow adjustment when finished.

Slide 2 x 6mm nyloc nuts into the rail on the flat side of each of the mounting ends of the cross braces so they line up with the 2 mounting holes

Using the small bolts, mount the long side of the "L" shaped brackets to the cross braces, screwing the bolts into the nuts inserted in step 5

Slide the small bolts into the mounting rail of the awning

With help from another person, hold the awning in the place and line up the 8mm bolts inserted in step 6 with the "L" shape bracket and fit nylock nuts.



Nomadic Awning 2.0 - 6.5'

SET-UP & CARE INSTRUCTIONS

18049909 Nomadic Awning 2.0 - 6.5' With Black Cover

Align awning into desired position and tighten all nuts and bolts from previous steps.

Insert rubber end caps into cross braces

Re-check all nuts and bolts periodically

AWNING INSTALLATION OPTION 3

MOUNTING DIRECTLY TO ROOF CROSS BARS

Ensure that the roof bars are of enough distance apart to provide sufficient stability

Align the long side of the "L" shaped brackets on the roof bars as seen to the right, with the brackets in suitable position to allow easy access to the awning, without it protruding too far from the side of the vehicle.

Mark the holes and centre punch

Drill the holes to clear the long bolts

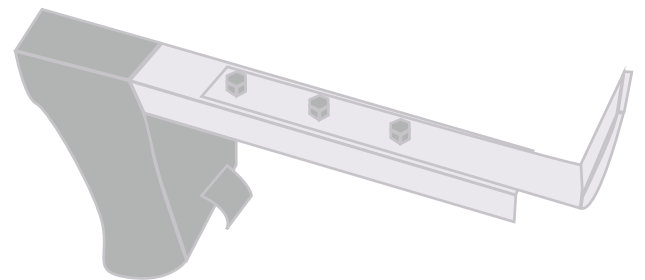
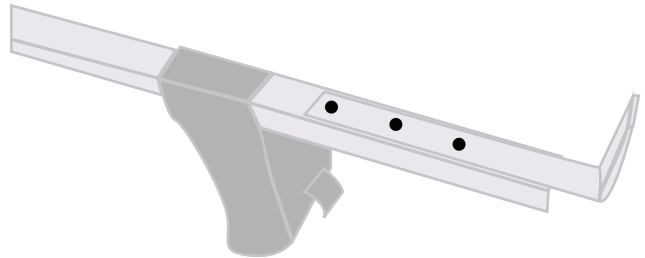
Bolt the "L" shaped brackets to the roof bars

Slide the head of the small bolts into the mounting rail of the awning

With help from another person, position the awning onto the "L" shaped brackets and install the nylock nuts

Align awning into desired position and tighten all nuts and bolts from previous steps

Re-check all nuts and bolts periodically



AWNING INSTALLATION OPTION 4

MOUNTING DIRECTLY TO A REINFORCED STEEL / ALLOY CANOPY

If mounting directly to the roof of a canopy or trailer it is recommended that the "L" shaped into the brackets are mounted cross braces built into the canopy and not directly the sheet metal, as this will support the weight of the awning correctly.

Slide the smaller bolts into the mounting rail of the awning

Loosely bolt the short side of the "L" shaped brackets to the canopy

With help from another person, the awning on the canopy. Ensure the brackets are square, in line and ensure the awning will be able to function correctly, will clear moving parts and is easy to access and operate. It is best to have the 2 brackets separated as far as possible for stability.

Mark the mounting holes and remove the awning.

Drill the holes in the canopy to clear the mounting bolts.

Refit the awning to the canopy with the bolts supplied

Align awning into desired position and tighten all nuts and bolts

Re-check all nuts and bolts periodically

SET UP PROCEDURE

Undo the zipper on the protective bag and whilst holding the awning in place, release the captive buckles

Still holding the awning, gently swing out both awning rafter arms slightly past 90° away from the vehicle to allow the awning to roll out between them

Nomadic Awning 2.0 - 6.5'

SET-UP & CARE INSTRUCTIONS

18049909 Nomadic Awning 2.0 - 6.5' With Black Cover

Holding the awning in your hands, unroll it to its full length, taking care as you get to the end as the 2 legs may have come loose during travel. Pull the extensions of the rather arms out longer as you unroll the awning

Carefully release the legs from inside the channel, and with one hand holding the centre of the awning, set each leg to the desired height and twist the bottom half of the leg to lock.

Whilst holding the awning end beam with one arm, slide out each rather arm, aligning the end pin into the end beam holes and twist the arm to lock in position.

Fix the awning material to the rather arms using the Velcro straps

Using the pegs and guy ropes secure the awning front beam diagonally outwards to secure the legs

Pack away is a reverse of the previous steps. Be sure to roll the awning material underneath itself. Avoid packing away the awning wet, if the awning has been stored wet, open it and allow it to dry.

Always set up the awning with sufficient angle to allow the water to run off and not pool on top of the awning

Nomadic Awning 2.0 - 6.5'

SET-UP & CARE INSTRUCTIONS

FEBRUARY 2024

CLEANING

Clean only with cold water and soft brush - Do not use soap or detergent. Do not expose to petrol, oil, or solvents. Avoid creases and seams when rolling up the awning.

STORING

1. Clean and dry the awning
2. Fold all of the components into the travel cover
3. Roll the tent, using the pole bag as a guide
4. Secure with awning and straps into the travel cover
5. Store in a cool, dry place

WARNINGS

- THE AWNING HAS BEEN DESIGNED FOR GENERAL CAMPING USE UNDER NORMAL CONDITIONS. ALWAYS ENSURE ALL GUY ROPES ARE ANCHORED CORRECTLY. IT MAY BE NECESSARY TO RE-ADJUST GUY ROPES AND PEGS AT TIMES TO MAINTAIN THE STRUCTURAL INTEGRITY OF THE AWNING.

- TO AVOID CHANCES OF PERSONAL INJURY AND PROPERTY DAMAGE, WE HIGHLY RECOMMEND THE NOMADIC AWNING SHOULD NOT BE ERECTED DURING WINDY CONDITIONS.

* IN WINDY CONDITIONS IT IS HIGHLY RECOMMENDED NOT TO ERECT THE AWNING AND WALLS AS PERSONAL INJURY AND OR PROPERTY DAMAGE MAY OCCUR.

- DO NOT CUT OR MODIFY THE AWNING OR MOUNTING ACCESSORIES.

- DO NOT EXCEED THE VEHICLE MANUFACTURER'S WEIGHT LIMITS.

- DO NOT USE DAMAGED OR EXCESSIVELY WORN PRODUCTS. CONTACT US IF YOU ARE UNSURE.

- KEEP ALL FLAMES AND HEAT SOURCES AWAY FROM THE FABRIC

- UNDER NO CIRCUMSTANCES SHOULD ANY NAKED FLAME SOURCES BE USED NEAR THE AWNING, KEEP FIRES AWAY FROM THE AWNING

- KEEP A LOOK OUT FOR ANY AIRBORNE BURNING EMBERS THAT MAY COME IN CONTACT WITH THE TENT. KEEP A FIRE EXTINGUISHER OR BUCKET OF WATER NEAR BY.

- DO NOT OPERATE ANY DEVICES WHICH BURN FUEL INSIDE THE AWNING WHILE THE WALLS ARE ATTACHED.

- KEEP EXITS CLEAR

- REMAIN CAUTIOUS WHEN GUIDE ROPES ARE IN USE

- KEEP AN EYE OUT FOR CHILDREN WHEN AWNING IS IN USE

- STOW AWAY AWNING BEFORE OPERATING VEHICLE



DO YOU NEED OUR HELP?



CUSTOMER SUPPORT 833-226-4863



SALES@OVERLANDVEHICLESYSTEMS.COM

WANT TO SHOW US YOUR RIG?
CHECK OUT OUR SOCIAL!

@overlandvehiclesystems

