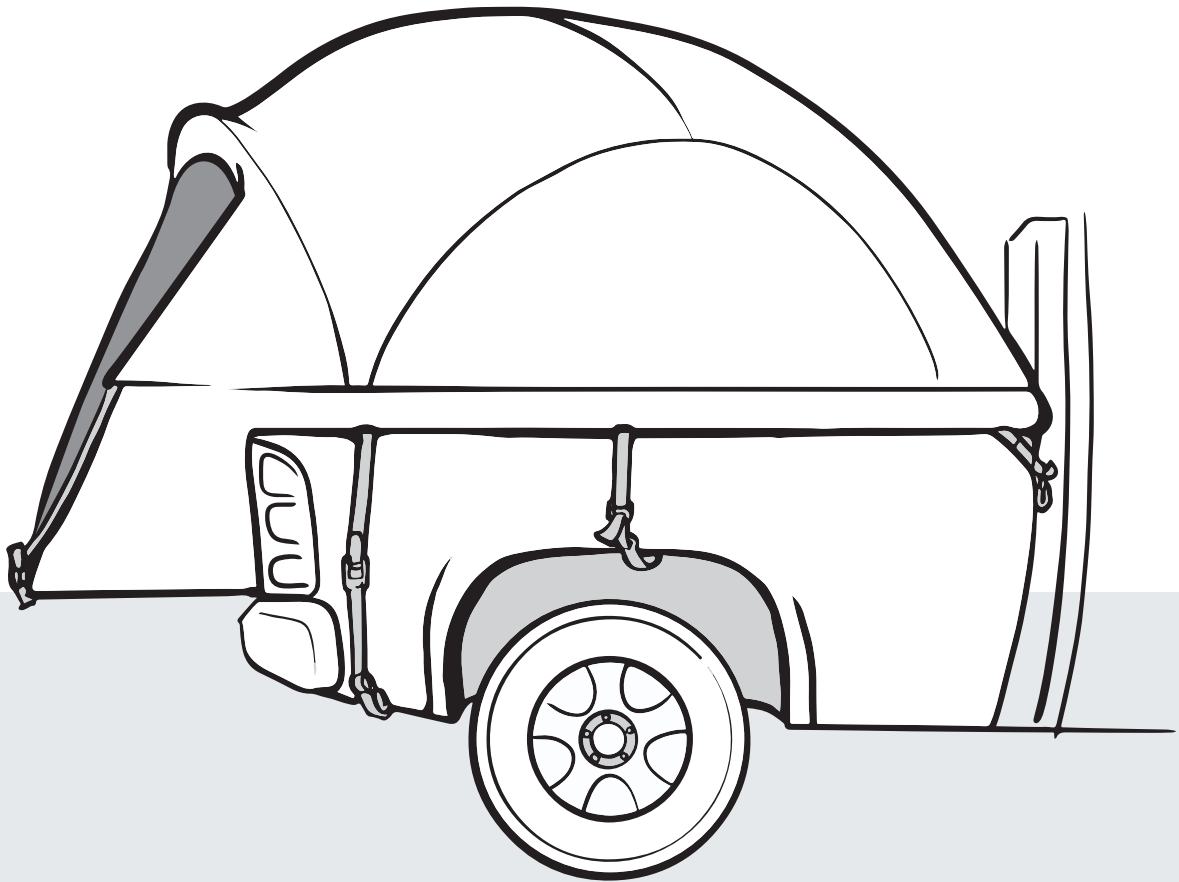




LD Tact Truck Bed Tent



**CAREFULLY READ INSTRUCTIONS
PRIOR TO THE FIRST USE OF THE
LD TACT TRUCK BED TENT**

GET TO KNOW YOUR BED TENT

We recommend you check all parts are included prior to first use.

COMPONENTS NEEDED

1x Tent Bag
2x Tent Tie Straps
1x Tent

1x Pole Bag
2x Black Tent Poles
1x Green Tent Pole

1x Grey Tent Pole
1x Rainfly
1x Gear Loft

BEFORE YOU BEGIN

- Select a smooth, level campsite clear of rocks, branches, and other hard or sharp objects.
- Avoid areas with overhead power lines and tree limbs.
- Park the vehicle in the chosen campsite. Turn off engine and engage the parking brake.

TENT INSTALLATION

1

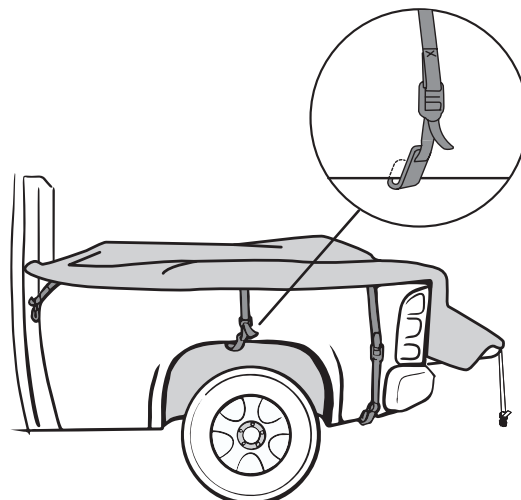
Lay the tent flat inside the bed of the truck, ensuring the front foot is at the tailgate.

NOTE: For an easier assembly, set the tent up on the ground, completing steps 1-3 last.



2

Locate the tent side straps (3 per side) and loosely attach each to the truck's body.



TENT INSTALLATION

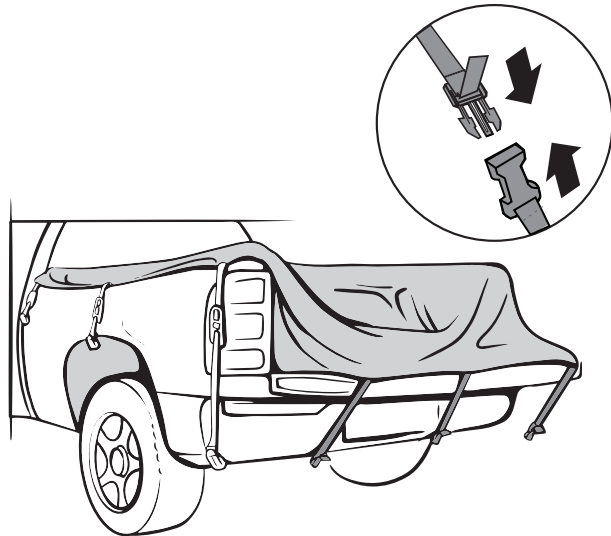
3

Locate the tent tailgate straps (3).

Slide the back 3 straps between the truck box and the tailgate (you may need to lift the tailgate).

Locate the front straps at the end of the tailgate and connect to the corresponding back strap under the tailgate

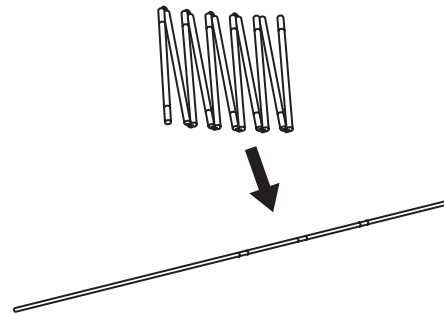
NOTE: If the tent straps on the side of the truck are too loose, pull to tighten. Ensuring not to make them too tight



4

Assemble the tent poles by unfolding each section.

- Black Poles: Corner-to-Corner
- Green Pole: Front-to-Back
- Grey Pole: Tailgate

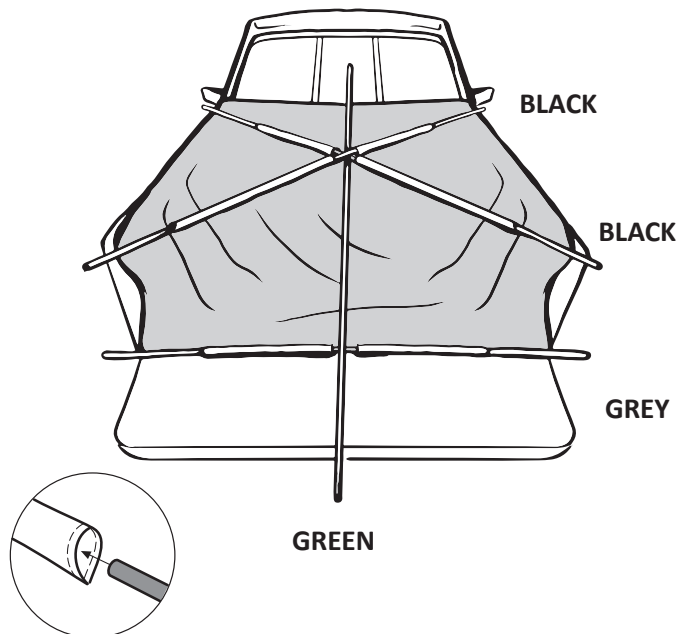


5

Insert the poles into the corresponding color sleeve in the following order (do not place the poles in the corner pockets at this time)

- Insert the BLACK pole diagonally, corner-to-corner on the roof of the tent. Repeat with the other black pole
- Insert the GREEN Pole front-to-back on the roof of the tent
- Insert the GREY pole side-to-side at the front (tailgate) of the tent. Ensure the tailgate pole is even on both sides

NOTE: The poles may get stuck in the sleeve. DO NOT force them - gently guide the pole through the fabric sleeve



TENT INSTALLATION

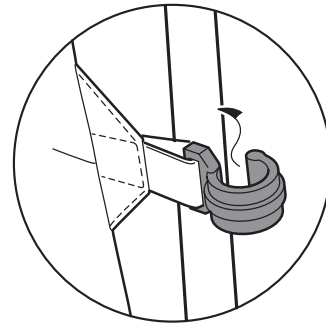
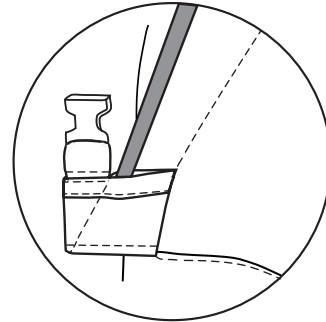
6

Insert each pole into the corresponding colored pockets in the following order:

- GREEN (front-to-back) Pole
- BLACK (corner-to-corner) Pole
- GREY (side-to-side) Pole

Note: Ensure tailgate pole is set-up on the outside of the tailgate wires. (If pole is set up inside the tailgate wires it will create too much tension and may cause pole to break).

Once the tent is fully raised, attach pole clips to the poles

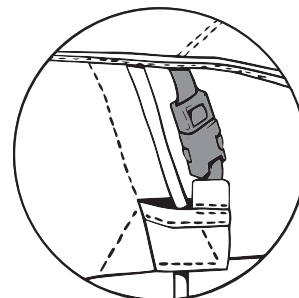
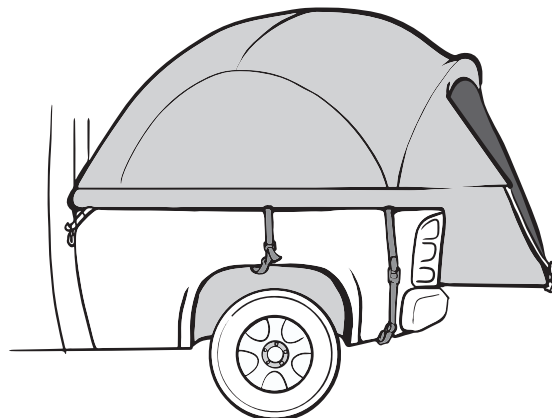


7

Locate the front of the rainfly that goes over the door.

Drape the rainfly over the tent

Secure the rainfly strap clips to the tent (2 per side and 2 at the tailgate) and tighten if necessary



LD TACT TRUCK BED TENT

SET-UP & CARE INSTRUCTIONS

18252540 LD TACT BED TENT MID SIZE 5.0'

CLEANING

Clean with cold water and a soft bristle brush. Do not use soaps and detergents. Do not expose to petrol, diesel, oils or chemicals of any nature.

STORING

1. Clean and dry the tent
2. Fold all of the components into the tent
3. Roll the tent, using the pole bag as a guide
4. Secure with the tent tie straps and insert into the carrying bag
5. Store in a cool, dry place



WARNINGS

- Do not use candles, matches, or open flames of any kind in or near the tent
- Do not cook inside the tent
- Build campfires downwind and several meters away from the tent. Be sure to fully extinguish fires before leaving a campsite or before retiring for the night.
- Exercise extreme caution when using fuel-powered lanterns or heaters inside or around the tent. Use battery-operated lanterns whenever possible.
- Do not refuel lamps, heaters, or stoves inside the tent
- Extinguish or turn off all lanterns before going to sleep
- Do not smoke inside the tent
- Do not store flammable liquids inside the tent
- NEVER run the vehicle engine when the tent is attached
- Do not install the tent when the temperature is below 0°C/32°F or when your vehicle is wet, it may cause damage
- Allow adequate ventilation inside the tent at all times
- Do not attempt to drive the vehicle with the tent attached
- Keep all flame and heat sources away from the tent fabric. The tent is made with flame-resistant fabric which meets CPAI-84 specifications. This does not make it fireproof. The fabric will burn if left in contact with any flame source. The application of any foreign substance to the tent fabric may render the flame-resistant properties ineffective.
- To prevent carbon monoxide from entering the vehicle and tent area, do not run the engine, do not cook inside the tent, and do not use a gas heater in the tent. Carbon monoxide is dangerous to your health.
 - Engine must be off and exhaust must be fully cooled before tent installation and use



DO YOU NEED OUR HELP?



CUSTOMER SUPPORT 833-226-4863



SALES@OVERLANDVEHICLESYSTEMS.COM

WANT TO SHOW US YOUR RIG?
CHECK OUT OUR SOCIAL!

@overlandvehiclesystems

