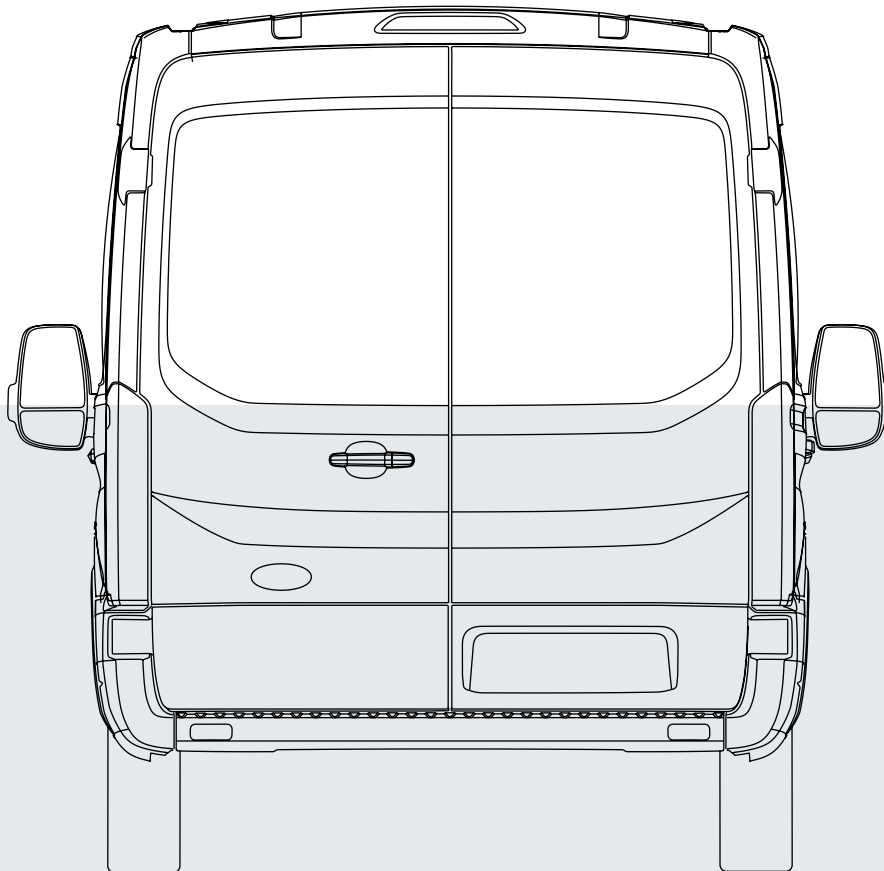




Rear Door Screen  
Ford Transit Door  
Insect Screens  
High Roof Applications



**CAREFULLY READ INSTRUCTIONS PRIOR  
TO THE FIRST USE OF THE FORD TRANSIT  
DOOR INSECT SCREENS**

## GET TO KNOW YOUR SCREEN

We recommend you check all parts are included prior to first use.

### Tools Needed

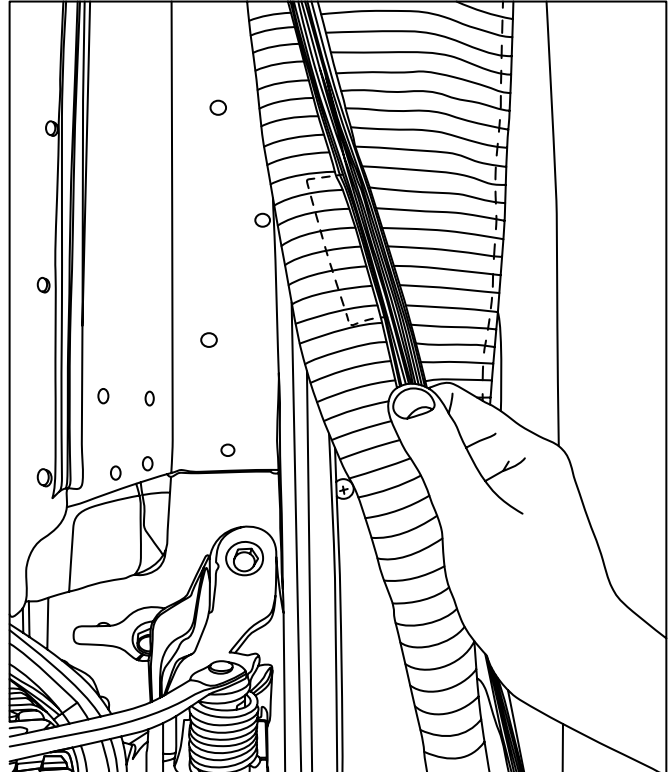
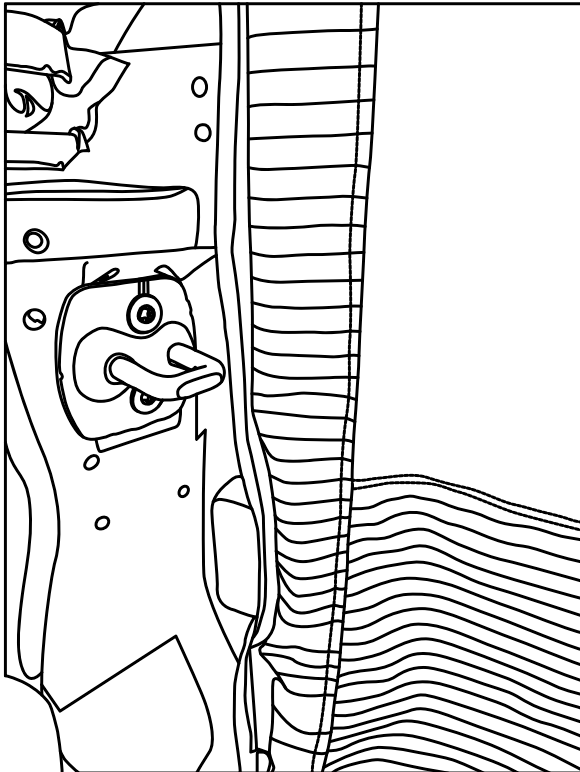
Step ladder  
2-3 Spring Clamps

Mild Soap and Water  
Microfiber Towels

## PREPARATION FOR INSTALLATION

The screen doors are attached to your vehicle via integrated magnets along the perimeter of the screen. To ensure a proper mount, it is recommended to clean the entire door perimeter jam area with a microfiber towel and warm water.

**Note: If there is excessive debris within the doorjamb parameter, take time and care to properly clear making sure not to damage any portion of the OE weather seal on the vehicle.**



## INSTALLING THE DOOR SCREENS

1. Remove your vehicle screens from the provided reusable storage bag.

2. Unfold your new screen doors.

**Note the orientation of the center door section and make sure the buckles at the top of the center door are facing outwards of the vehicle.**

3. Open both rear doors, making sure the door is in the full ajar and locked position

4. Start securing the rear door screens with the integrated perimeter magnets starting with the top, ensuring that the screen is centered left to right.

**Note: If needing assistance to help hold the material as you start securing the magnets to the doorjamb itself, it may be helpful to use 1-2 spring clamps to hold the screen in its approximate orientation while aligning the magnets around the top and side perimeter of the doorjamb.**

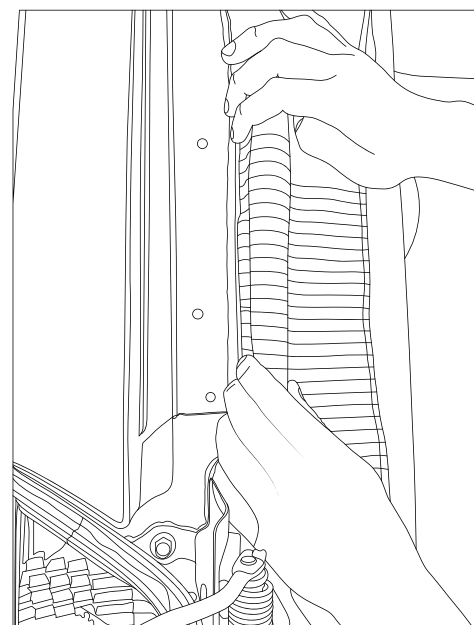
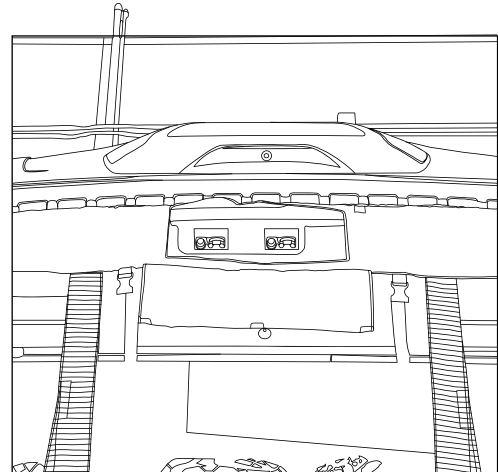
## INSTALLING THE DOOR SCREENS

6. Center the top opening with the door latch assemblies

7. Once the screen is supporting itself, you can make fine adjustments to the fitment aligning the screen both vertically and horizontally.

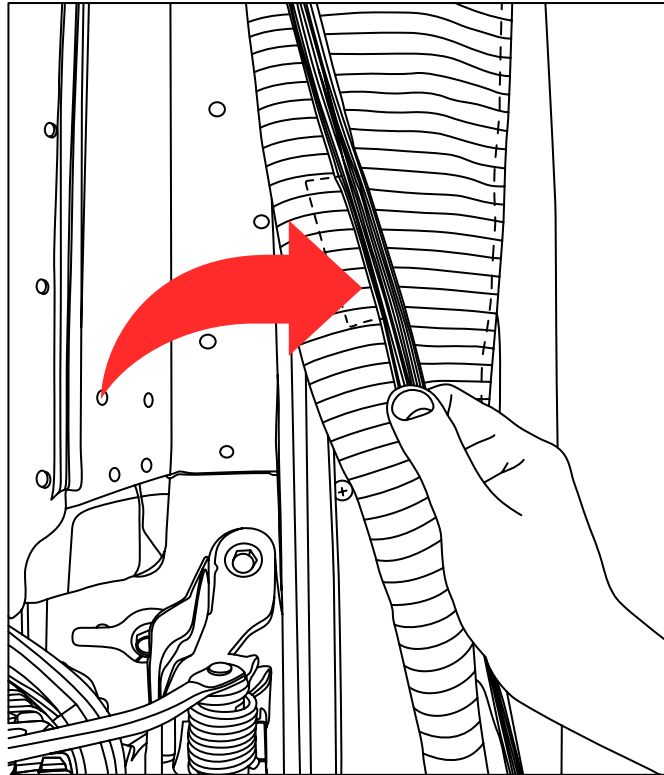
8. Carefully route the screen perimeter around the rear hinge and taillight assembly as show.

9. When properly aligned, there will be an even amount of material around the perimeter of the door opening and the door screen.



## Removing the door screens

1. To remove the door screens, start at the top center and with light force, pull to remove the magnets one at a time from the vehicle's doorjamb.
2. Use caution when removing making sure that no portion of the door screen assembly gets caught or snagged on any of the vehicle components.
3. While making your way down the doorjamb begin carefully folding the door screens for secure storage in the included storage bag.



# Ford Transit Rear Door Insect Screens

VPK4Z-61018A16-B

## SET-UP & CARE INSTRUCTIONS

### CLEANING

Clean with cold water and a soft bristle brush. Do not use soaps and detergents. Do not expose to petrol, diesel, oils or chemicals of any nature.

### STORING

Correct storage is vital for the longevity of your Ford Transit Door Insect Screens. If on occasion the screen is required to be stowed wet, it is essential it is unpacked and dried as soon as possible. Rot, mildew damage and incorrect storage is not covered under warranty.



## WARNINGS

- **THIS SCREEN HAS BEEN DESIGNED FOR GENERAL CAMPING USE UNDER NORMAL CONDITIONS. ALWAYS ENSURE ALL MAGNETS ARE ANCHORED CORRECTLY.**
- **DO NOT CUT OR MODIFY THE SCREEN OR ACCESSORIES.**
- **DO NOT USE DAMAGED OR EXCESSIVELY WORN PRODUCTS. CONTACT US IF YOU ARE UNSURE.**
- **KEEP ALL FLAMES AND HEAT SOURCES AWAY FROM THE FABRIC**
- **UNDER NO CIRCUMSTANCES SHOULD ANY NAKED FLAME SOURCES BE USED NEAR THE FABRIC AND SCREEN , KEEP FIRES AWAY FROM FABRIC AND SCREEN**
- **KEEP A LOOK OUT FOR ANY AIRBORNE BURNING EMBERS THAT MAY COME IN CONTACT WITH THE FABRIC AND SCREEN. KEEP A FIRE EXTINGUISHER OR BUCKET OF WATER NEAR BY.**
- **KEEP AN EYE OUT FOR CHILDREN WHEN SCREEN IS IN USE**
- **BEFORE DRIVING THE VEHICLE, BOTH SCREENS MUST BE COMPLETELY REMOVED. NEVER DRIVE THE VEHICLE WITH EITHER SCREEN INSTALLED**



## DO YOU NEED OUR HELP?



CUSTOMER SUPPORT 833-226-4863



SALES@OVERLANDVEHICLESYSTEMS.COM

WANT TO SHOW US YOUR RIG?  
CHECK OUT OUR SOCIAL!

@overlandvehiclesystems

